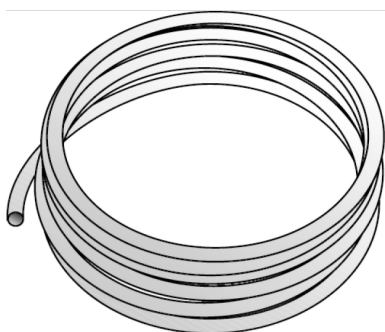


KM100 KELOX multilayer pipe 32x3 Restl.

7411320R

Areas of application



KELOX multilayer pipe conforming to ÖNORM EN ISO 21003; oxygen- and water vapour-tight 5-layer multilayer pipe made of PE-RT/Al/ PE-RT;

Operating conditions according to classification of ÖNORM EN ISO 21003

Sanitary application - Class 2: 70°C - tmax 80°C/10 bar

Radiator connection - Class 5: 80°C - tmax 90°C/10 bar

Colour: white/transparent

Supplied in coils

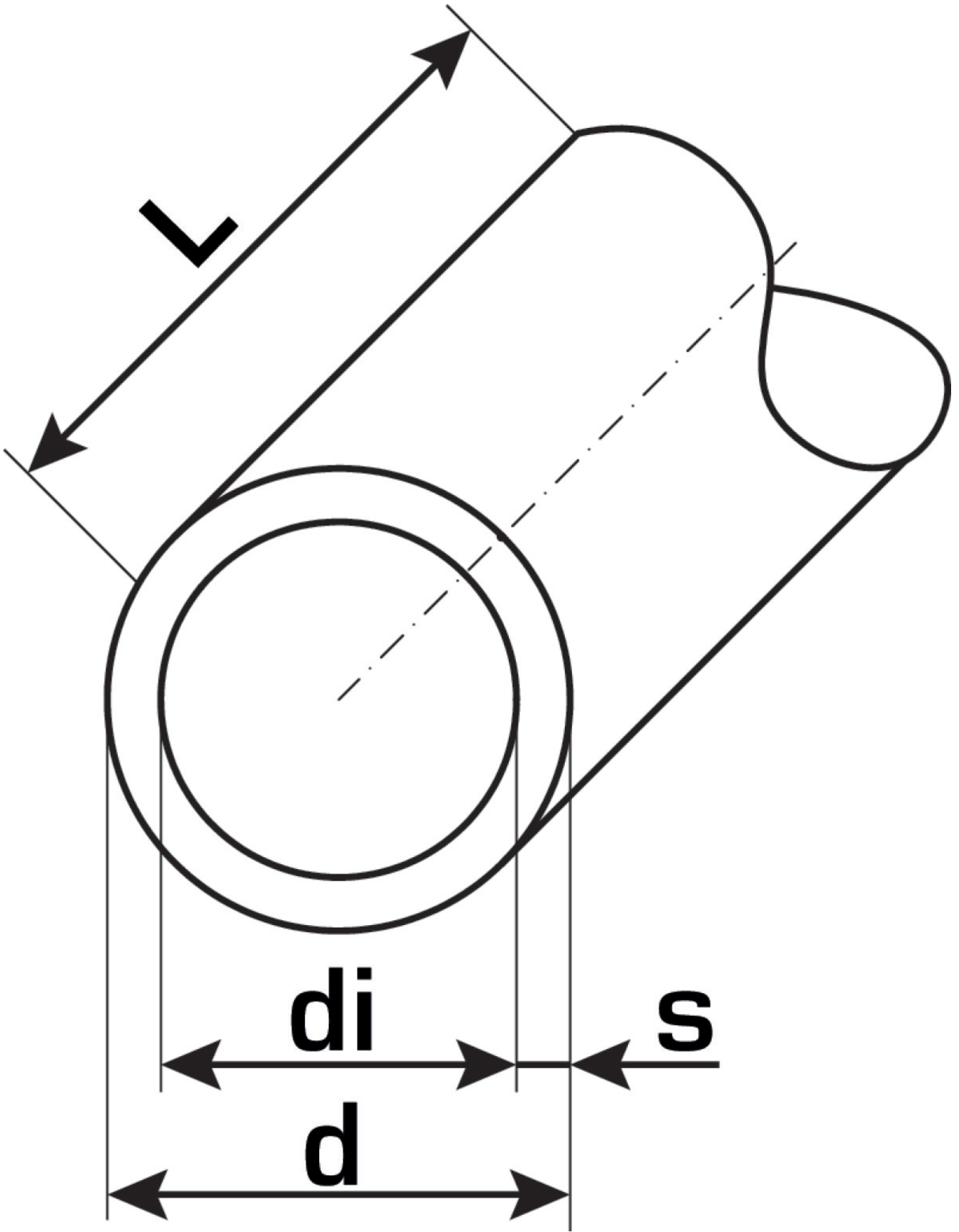
Approvals:



Specifications

Product information

L	1 m
weight	0,32 KGM
text	KELOX multilayer pipe
INTRNR	39173900
main material group	KELOX
material group	KELOX pipes
code	KM100



Art. No	label
7411320R	32x3 Restl.



KE KELIT GmbH
A 4020 Linz, Ignaz-Mayer-Straße 17, Austria, Europe
PHONE +43 (0) 50 779 **E-MAIL** office@kekelit.com
www.kekelit.com