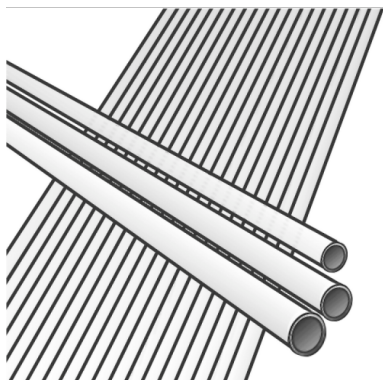


KM110 KELOX multilayer pipe 18x2 / 5m

7410180

Areas of application



KELOX multilayer pipe conforming to ÖNORM EN ISO 21003; oxygen- and water vapour diffusion-tight 5-layer composite pipe made of PE-RT/Al/ PE-RT;

Classification of operating conditions according to ÖNORM EN ISO 21003

Sanitary application - Class 2: 70°C - tmax 80°C/10 bar

Radiator connection - Class 5: 80°C - tmax 90°C/10 bar

Colour: white/transparent

Rod length: 5m

Approvals:



Specifications

Article information

color White

flexible 1

Technical properties

maximum working pressure at 20 ° C 10

pipe weight 0.13

pipe contents 0.154

lambda pipe 0.45

Product information

VPE1 100 BND

L 5 m

weight 0,13 KGM

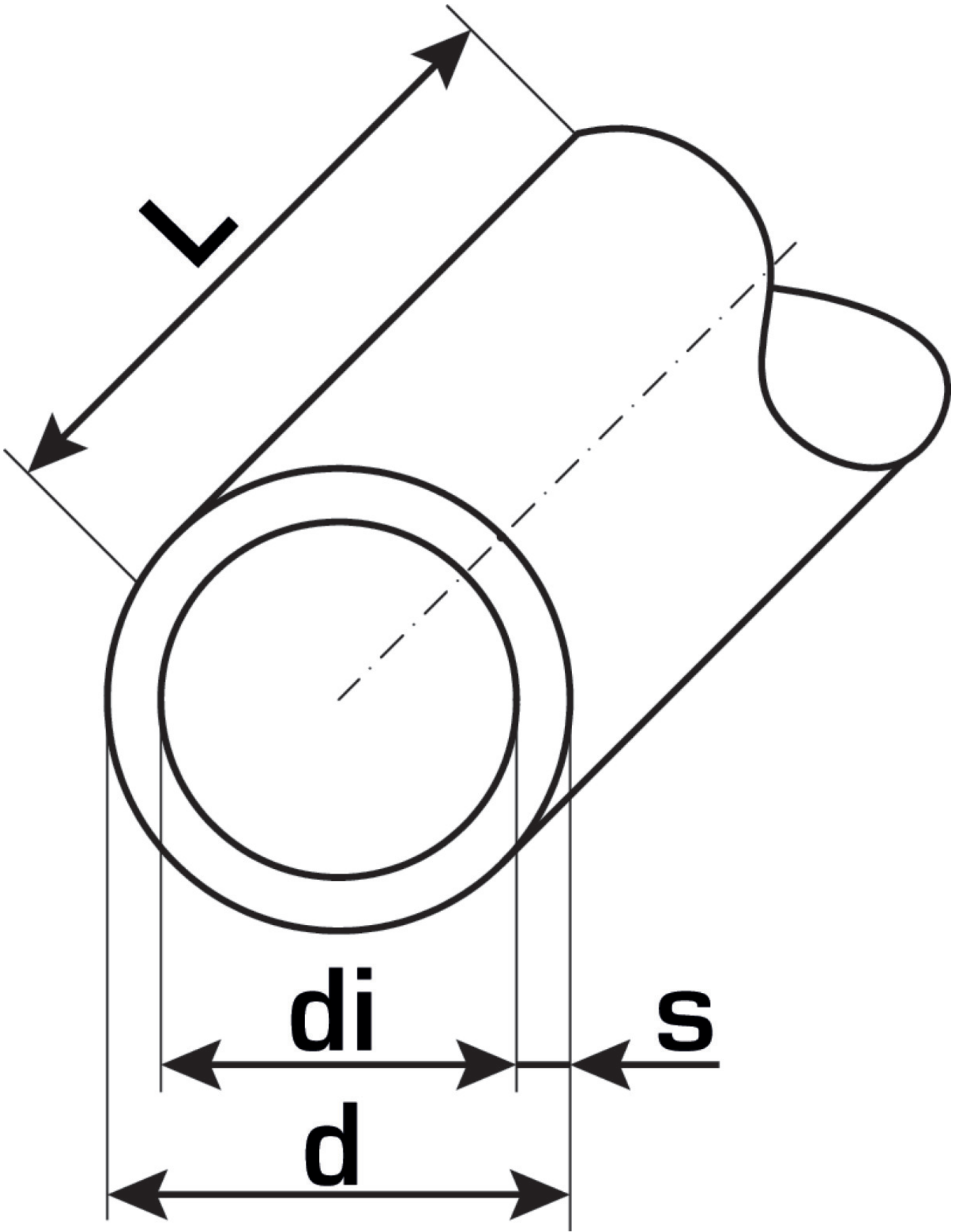
text KELOX multilayer pipe

INTRNR 39173900

main material group KELOX

material group KELOX pipes

code KM110



Art. No	label	d1 mm	pipe contents	s mm
7410180	18x2 / 5m	18	0.154	2



KE KELIT GmbH

A 4020 Linz, Ignaz-Mayer-Straße 17, Austria, Europe

PHONE +43 (0) 50 779 **E-MAIL** office@kekelit.com

www.kekelit.com