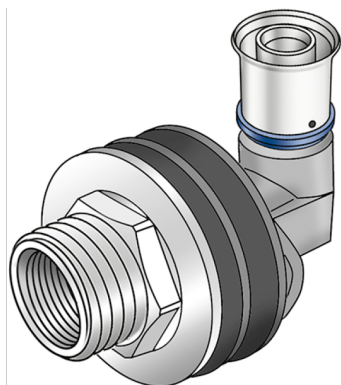


KMU483 KELOX-ULTRAX wall duct 90° female 16x1/2"

71256B02

Areas of application



Press-fit wall duct with female thread for dry construction, incl. locknut and two sound-insulating sealing washers, made of non-porous metallized brass; including support sleeves with O-rings and steel or stainless steel press-fit sleeves; "leak before pressed"

DO NOT screw in any threaded pipes and cast iron fittings!

Approvals:



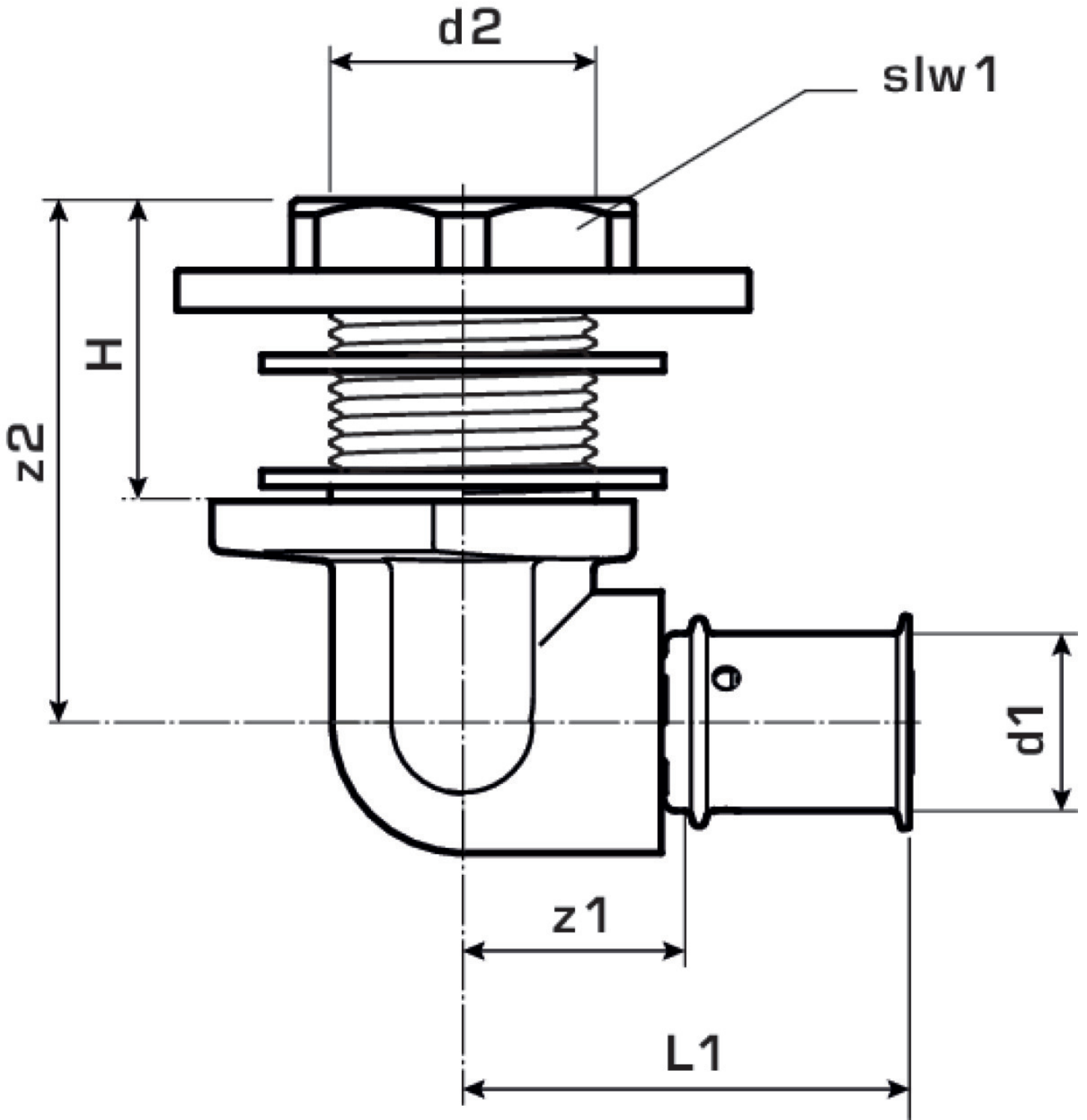
Specifications

Article information

port 1	Pressing socket
port 2	Female thread cylindrical BSPT-Rp (ISO 7-1)
execution	2-part
design	Knee
angle	90
press contour	U

Product information

VPE1	10 SA1
VPE2	60 KT1
weight	0,275 KGM
text	KELOX-ULTRAX wall duct 90° female
INTRNR	74122000
main material group	KELOX
material group	KELOX-ULTRAX metal fittings
code	KMU483



Art. No	label	d2 Inches	d1 mm	L1	z1	z2	slw1
71256B02	16x1/2"	1/2" (15)	16	44	23	53	34



KE KELIT GmbH
 A 4020 Linz, Ignaz-Mayer-Straße 17, Austria, Europe
PHONE +43 (0) 50 779 **E-MAIL** office@kekelit.com
 www.kekelit.com