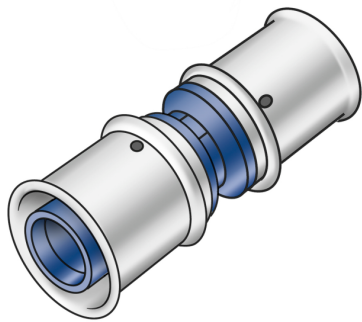


KWX410 KELOX PPSU coupling 32/32

77600FF0

Areas of application



?Press coupling equal or reduced, made of PPSU (blue), incl. support sleeves with O-rings and stainless steel press-fit sleeves

Approvals:



Specifications

Article information

| | |
|---------------|-----------------|
| port 1 | Pressing socket |
| port 2 | Pressing socket |
| execution | 1-part |
| design | Straight |
| press contour | U |

Technical properties

| | |
|------------------------------------|----|
| maximum working pressure at 20 ° C | 10 |
|------------------------------------|----|

Product information

| | |
|---------------------|-----------------------------|
| VPE1 | 10 SA1 |
| VPE2 | 60 KT1 |
| weight | 0,079 KGM |
| text | KELOX PPSU coupling |
| INTRNR | 39174000 |
| main material group | KELOX |
| material group | KELOX-PPSU plastic fittings |
| code | KWX410 |



| Art. No | label | d1 mm | d2 mm | L1 | L2 | z1 | z2 |
|----------|-------|-------|-------|----|----|----|----|
| 77600FF0 | 32/32 | 32 | 32 | 41 | 41 | 12 | 12 |