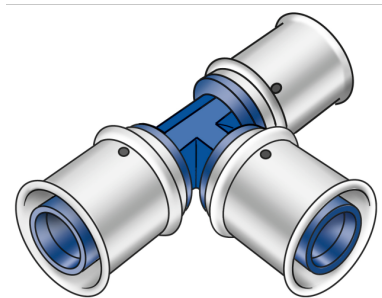


KWX440 ?KELOX PPSU tee 32/20/32

77610FDF

Areas of application



?Press tee piece equal or reduced, made of PPSU, incl. support sleeves with O-rings and stainless steel press-fit sleeves

Approvals:



Specifications

Article information

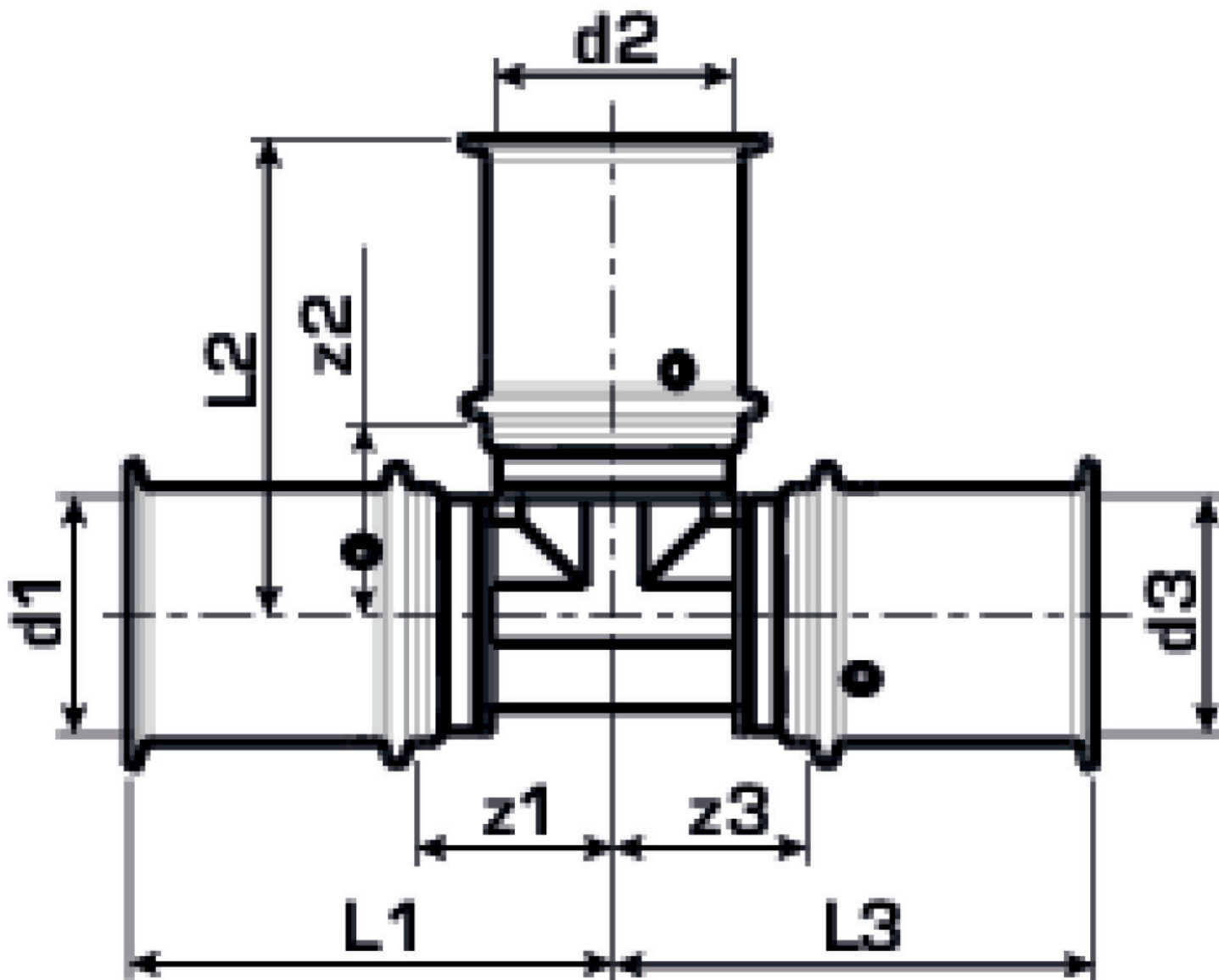
port 1	Pressing socket
port 2	Pressing socket
port 3	Pressing socket
execution	Tee piece
angle	90
press contour	U

Technical properties

maximum working pressure at 20 ° C	16 bar
------------------------------------	--------

Product information

VPE1	4 SA1
VPE2	40 KT1
weight	0,096 KGM
text	?KELOX PPSU tee
INTRNR	39174000
main material group	KELOX
material group	KELOX-PPSU plastic fittings
code	KWX440



Art. No	label	d1 mm	d2 mm	d3 mm	L1	L2	L3	z1 mm	z2	z3 mm
77610FDF	32/20/32	32	20	32	53	52	53	25	29	25