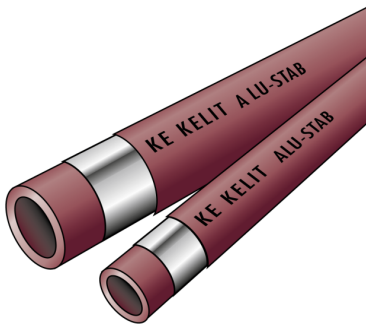


TRI01 KETRIX aluminium composite pipe - PN16 63x7.1

55001I00

Areas of application



KETRIX ALU composite pipe based on EN ISO 15874 oxygen-tight made of polyolefin blend (POB), mechanically stabilising aluminium pipe attached to the outer wall of the medium pipe with a bonding agent and protective layer for COOLING WATER, COLD and COMPRESSED AIR up to 10 bar Area of application: 20°C/16 bar, from -30°C to +40°C/10 bar

Colour: burgundy

Length: 4 m

Specifications

Article information

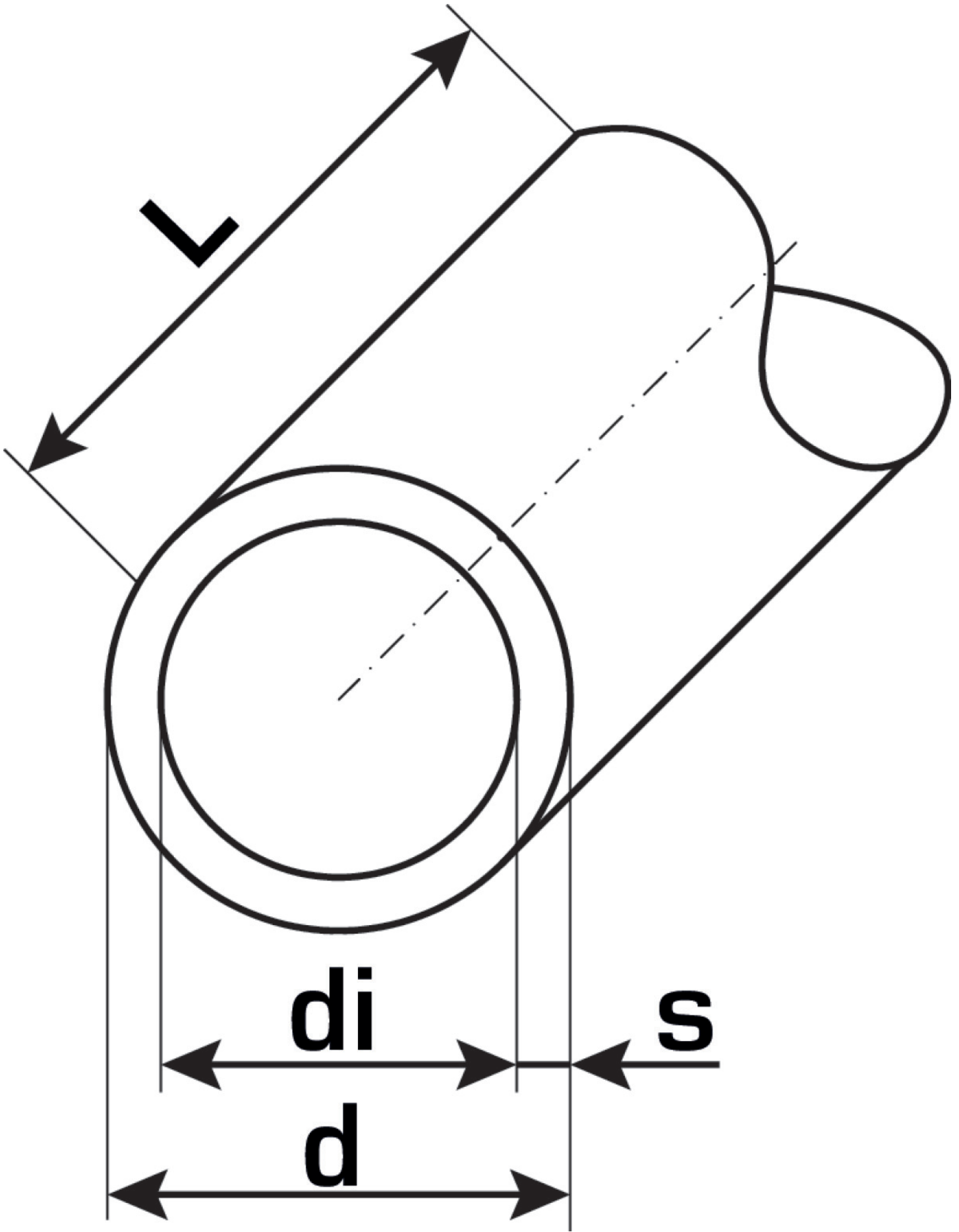
color	Burgundy
trade length	4
isolation	No

Technical properties

maximum working pressure at 20 ° C	16 bar
pipe weight	1.45 kg/m
pipe contents	1.87 l/m
lambda pipe	0.24 W/(m.K)
wall rawness	0.007
expansion coefficient	0.030 mm/(m.K)

Product information

DIM2	48,8
VPE1	12 BND
L	4 m
weight	1,45 KGM
text	KETRIX aluminium composite pipe - PN16
INTRNR	39172290
main material group	KETRIX
material group	KETRIX pipes
code	TRI01



Art. No	label	d1	pipe contents l/m	s
55001100	63x7.1	63	1.87	7.1



KE KELIT GmbH

A 4020 Linz, Ignaz-Mayer-Straße 17, Austria, Europe

PHONE +43 (0) 50 779 **E-MAIL** office@kekelit.com

www.kekelit.com