

KELOX

KM258 KELOX stopper for pressure testing 18x1/2"

7604180

Areas of application



Re-usable plug for pressure testing KELOX multilayer pipes

Replacement O-rings on request!

After removing the screw fitting, cut off the pipe end!

NOT suitable for continuous use!

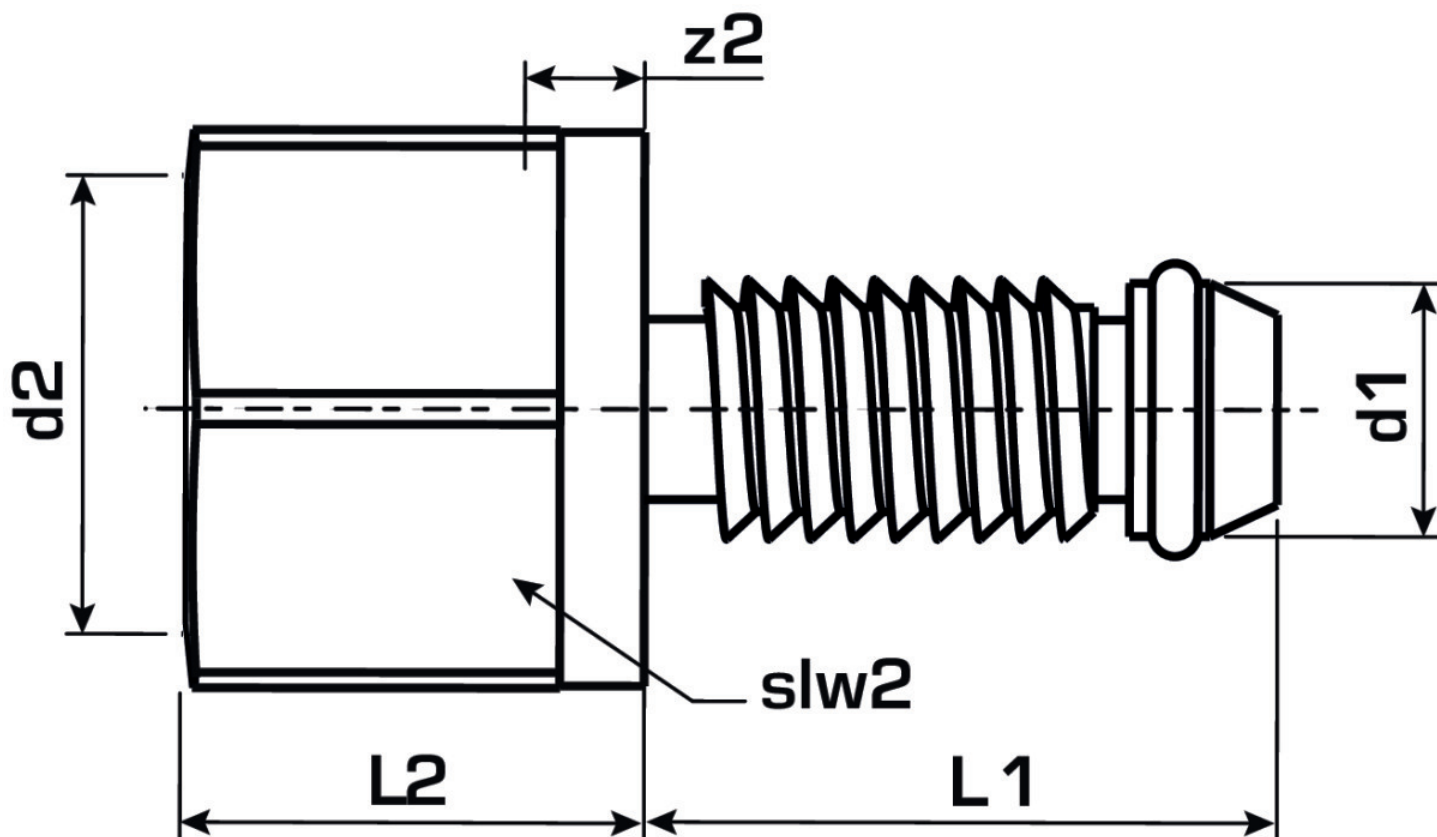
Specifications

Technical properties

maximum working pressure at 20 ° C	10
------------------------------------	----

Product information

VPE1	10 SA1
weight	0,114 KGM
text	KELOX stopper for pressure testing
INTRNR	74122000
main material group	KELOX
material group	KELOX accessories
code	KM258



Art. No	label	d1
7604180	18x1/2"	18