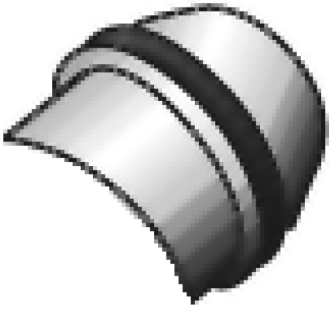


KELOX

KM258 KELOX stopper for pressure testing O-Ring 18

7604181

Areas of application



Re-usable plug for pressure testing KELOX multilayer pipes

After removing the plug, cut off the pipe end!

NOT suitable for continuous use!

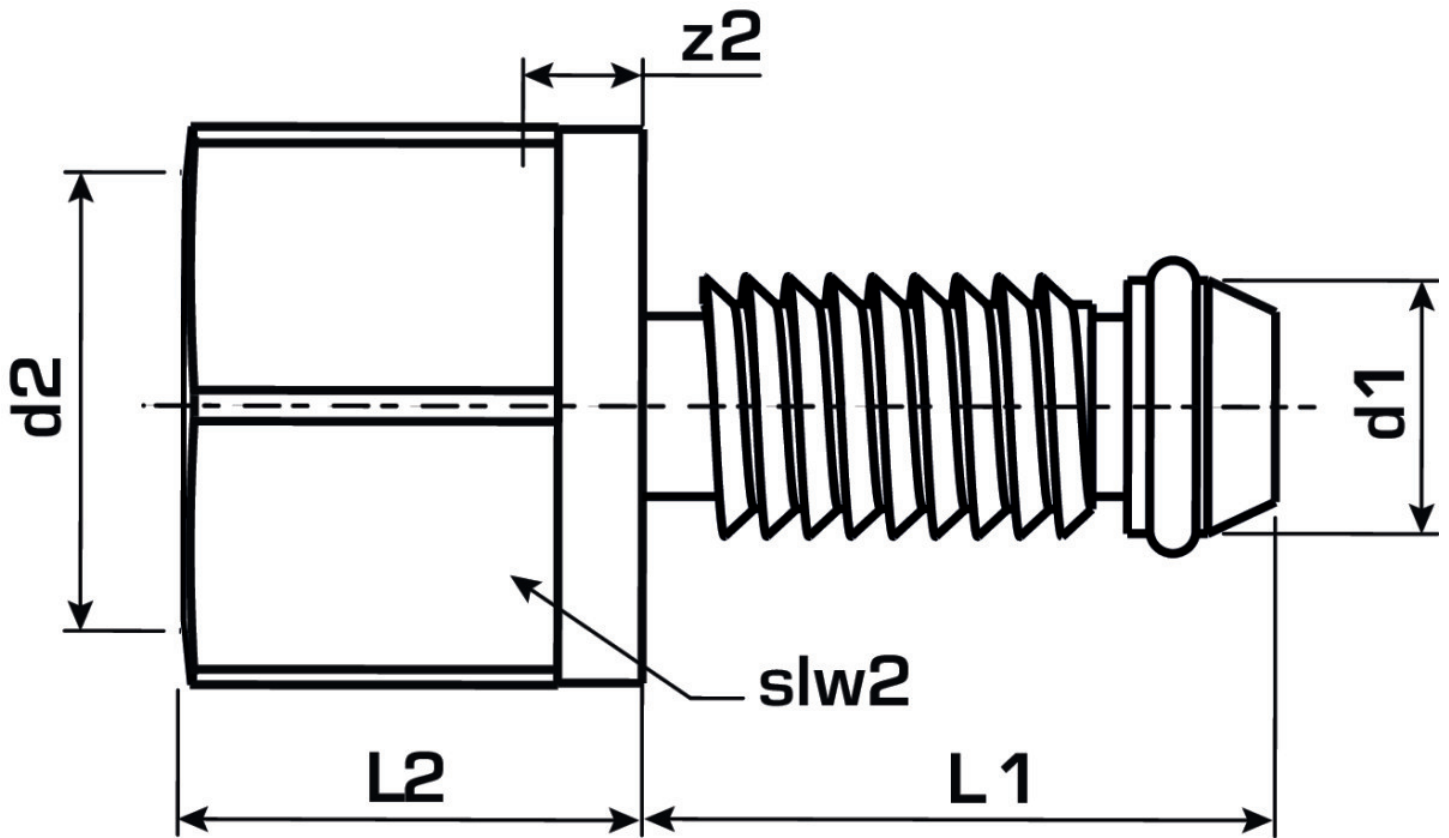
Specifications

Technical properties

maximum working pressure at 20 ° C	10
------------------------------------	----

Product information

VPE1	10 SA1
weight	0,001 KGM
text	KELOX stopper for pressure testing
INTRNR	74122000
main material group	KELOX
material group	KELOX accessories
code	KM258



Art. No

label

7604181

O-Ring 18