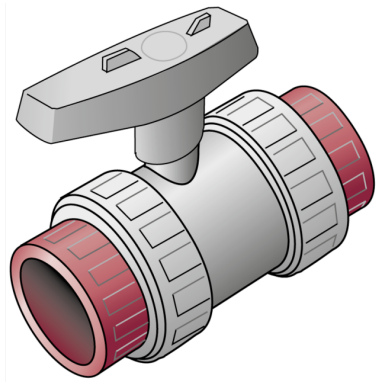


KETRIX

TRI51P KETRIX plastic ball valve PN6 - PN16 Seal 25

55232EE01

Areas of application



KETRIX plastic ball valve with two detachable screw fittings for polyfusion weld connections with POB pipes without narrowing the cross section

Pressure levels:

d20-d63 - PN16

d75-d90 - PN10

d110 - PN6 - ONLY cold water

Plastic sockets are available separately!

ATTENTION, NOT suitable for freezing temperatures - valve body made of PVC!

ATTENTION, DO NOT use for compressed air, please use commercially available compressed air fittings!



KE KELIT GmbH

A 4020 Linz, Ignaz-Mayer-Straße 17, Austria, Europe

PHONE +43 (0) 50 779 **E-MAIL** office@kekelit.com

www.kekelit.com

Specifications

| Product information | |
|---------------------|--------------------------------------|
| VPE1 | 1,00 STK |
| VPE2 | 100,00 SA1 |
| weight | 0,001 KGM |
| text | KETRIX plastic ball valve PN6 - PN16 |
| INTRNR | 40169300 |
| main material group | KETRIX |
| material group | KETRIX metal fittings |
| code | TRI51P |

| Art. No | label |
|-----------|---------|
| 55232EE01 | Seal 25 |