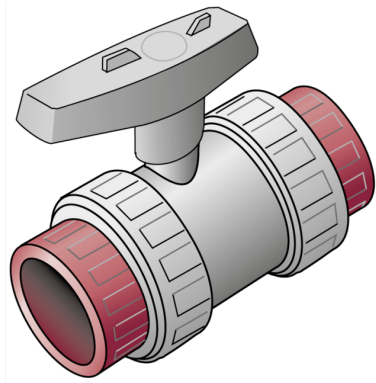


# KETRIX

## TRI51P KETRIX plastic ball valve PN6 - PN16 Seal 32

55232FF01

### Areas of application



KETRIX plastic ball valve with two detachable screw fittings for polyfusion weld connections with POB pipes without narrowing the cross section

Pressure levels:

d20-d63 - PN16

d75-d90 - PN10

d110 - PN6 - ONLY cold water

Plastic sockets are available separately!

ATTENTION, NOT suitable for freezing temperatures - valve body made of PVC!

ATTENTION, DO NOT use for compressed air, please use commercially available compressed air fittings!



**KE KELIT GmbH**

A 4020 Linz, Ignaz-Mayer-Straße 17, Austria, Europe

**PHONE** +43 (0) 50 779 **E-MAIL** [office@kekelit.com](mailto:office@kekelit.com)

[www.kekelit.com](http://www.kekelit.com)

# Specifications

Product information	
VPE1	1,00 STK
VPE2	100,00 SA1
weight	0,001 KGM
text	KETRIX plastic ball valve PN6 - PN16
INTRNR	40169300
main material group	KETRIX
material group	KETRIX metal fittings
code	TRI51P

Art. No	label
55232FF01	Seal 32