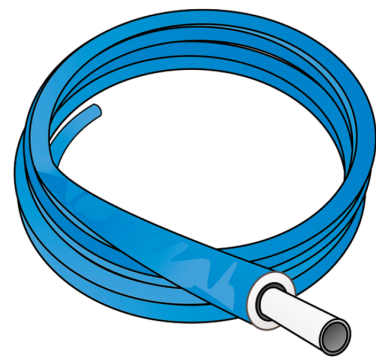


KELOX

KUC134 KELOX-ECO Plus pipe - 4mm 20x2,25

7042020

Areas of application



KELOX-ECO solid-wall pipe conforming to ÖNORM EN ISO 22391 made of PE-RT Type 2 with 4mm closed-cell soft foam insulation applied at the factory and plastic insulation protective sleeve made of viscoplastic PE foil. Connections can be made with KM screw fittings, KMP, KWP, KMU and KWX fittings.

Classification of operating conditions according to ÖNORM EN ISO 22391

Cold water application range: 20 °C - 10 bar

Warm water application range: 60 °C - 6 bar

Colour: blue

Supplied in coils

Approvals:



Specifications

Article information

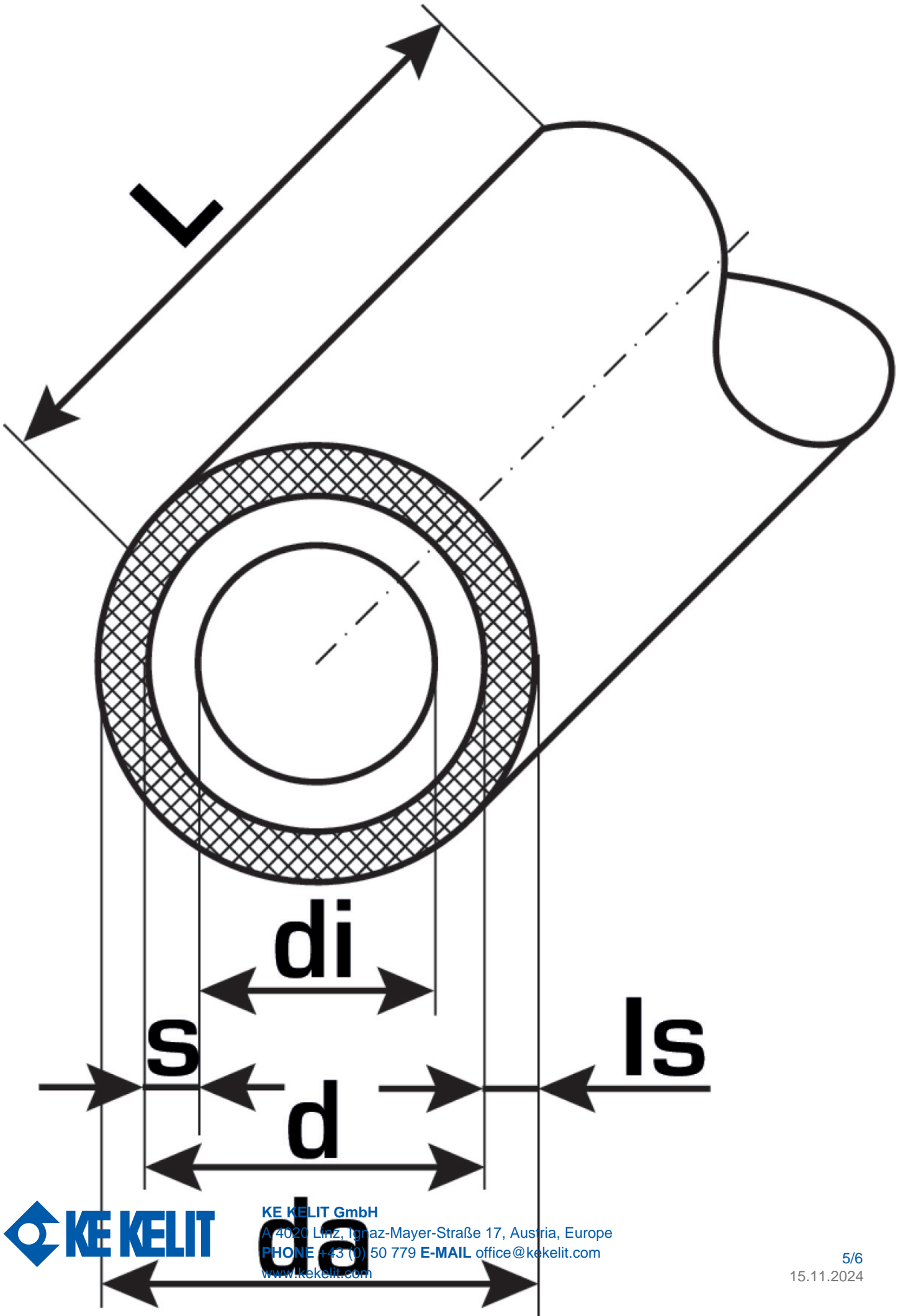
color	White
colour isolation	Blue
flexible	1
trade length	50 m
isolation	1

Technical properties

maximum working pressure at 20 ° C	10
thick thermal insulation	4
pipe weight	0,19 kg/m
pipe contents	0,189 l/m
lambda pipe	0,40 W/(m.K)
wall rawness	0,007 mm
expansion coefficient	0,19 mm/(m.K)

Product information

VPE1	50 ROL
VPE2	850 PAL
L	50 m
weight	0,19 KGM
text	KELOX-ECO Plus pipe - 4mm
INTRNR	39173900
main material group	KELOX
material group	KELOX isolierte pipes
code	KUC134



Art. No	label	d1 mm	d Jacket tube mm	pipe contents l/m	s mm
7042020	20x2,25	20	28	0,189	2,25



KE KELIT GmbH

A 4020 Linz, Ignaz-Mayer-Straße 17, Austria, Europe

PHONE +43 (0) 50 779 **E-MAIL** office@kekelit.com

www.kekelit.com