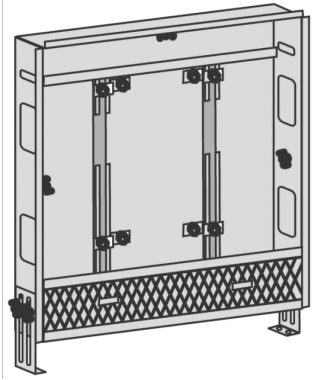


# KELOX<sub>FB</sub>

KELOX universal manifold cabinet body Special size L: 1150mm

9000800

## Areas of application



Sendzimir-galvanised universal steel plate cabinet; can be connected from below or at the side; height-adjustable feet; surface-or flush-mounted visible part can be retrofitted. Number of manifold outlets matched to KM590E and KMP590M KELOX FB manifold

plaster trim element below cabinet, Width: max. 120mm

Cabinet depth: 75mm

Installation height: 600mm above finished floor

# Specifications

## Product information

**text** KELOX universal manifold cabinet body

Art. No	label	t
9000800	Special size L: 1150mm	75



**KE KELIT GmbH**

A 4020 Linz, Ignaz-Mayer-Straße 17, Austria, Europe

**PHONE** +43 (0) 50 779 **E-MAIL** [office@kekelit.com](mailto:office@kekelit.com)

[www.kekelit.com](http://www.kekelit.com)