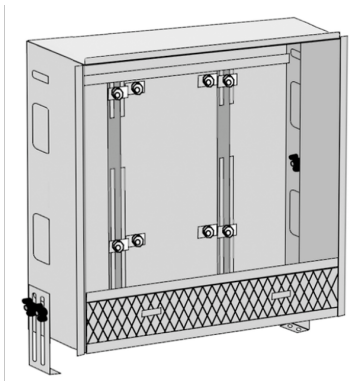


KELOX_{FB}

KELOX manifold cabinet body 110 5-8 L: 690mm

9000610

Areas of application



Sendzimir-galvanised universal steel plate cabinet; can be connected from below or at the side; height-adjustable feet; surface-or flush-mounted visible part can be retrofitted. Suitable for installing KM651 KELOX FB fixed value regulator set and KU590 industrial surface manifold. Space for straight or 90° connection set KM593E as well as KM591E 90° elbow is taken into account. Number of manifold outlets coordinated with KM590E and KMP590M KELOX FB brass manifold!

Plaster trim element below cabinet, Width: 120mm

Cabinet depth: 110mm

Installation height: 600mm above finished floor

Specifications

Product information

text KELOX manifold cabinet body 110

Art. No	label	t
9000610	5-8 L: 690mm	110



KE KELIT GmbH

A 4020 Linz, Ignaz-Mayer-Straße 17, Austria, Europe

PHONE +43 (0) 50 779 **E-MAIL** office@kekelit.com

www.kekelit.com