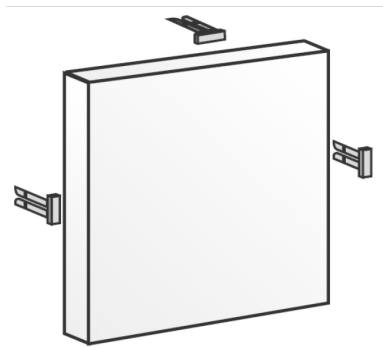


KELOX_{FB}

KELOX AP visible part 9-12 L: 910mm

9000780

Areas of application



Sendzimir-galvanised door with depth-adjustable surface-mounted visible part with magnetic holder;
powder-coated

Colour: white (RAL 9016)

Depth: 130mm

Height: 670mm above the finished floor

Specifications

Article information

colour White

Product information

text KELOX AP visible part

Art. No

9000780

label

9-12 L: 910mm