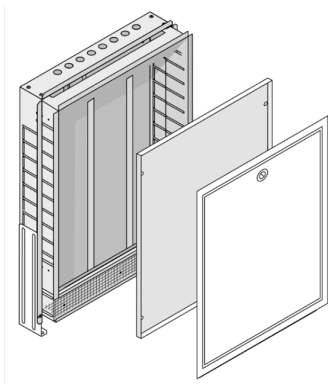


KELOX_{FB}

KELOX UP manifold cabinet with metal cover Cylinder lock, metal

1001170

Areas of application



Galvanised universal steel housing with telescopic pull-out frame; can be connected from below or at the side; height-adjustable feet; plaster trim element below cabinet, including plaster net and plaster protection for inside the cabinet protruding by 60mm on the plaster trim element; including manifold brackets, galvanised lockable front doors and frame, powder-coated, cylinder lock can be retrofitted. Space for straight or 90° connection set KM593E as well as KM591E 90° elbow is taken into account. Number of manifold outlets matched to KMU590E and KMP590E KELOX-ULTRAX FB manifold!

Colour: white (RAL 9010)

Cabinet depth: 70 - 120mm



KE KELIT GmbH

A 4020 Linz, Ignaz-Mayer-Straße 17, Austria, Europe

PHONE +43 (0) 50 779 E-MAIL office@kekelit.com

www.kekelit.com

Installation height: 600mm above finished floor

Screed modesty panel, powder-coated (RAL 9010)

Length: coordinated with cabinet length

Height: 90mm

Metal visible parts and telescopic frame can be supplied separately!



KE KELIT GmbH

A 4020 Linz, Ignaz-Mayer-Straße 17, Austria, Europe

PHONE +43 (0) 50 779 **E-MAIL** office@kekelit.com

www.kekelit.com

Specifications

Article information

colour

Miscellaneous

Product information

text

KELOX UP manifold cabinet with metal cover

Art. No

label

1001170

Cylinder lock, metal