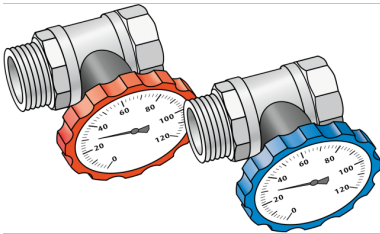


KELOX_{FB}

KM593T KELOX Anschlusskugelhahn 6/4" mit Thermometer

90049050

Areas of application

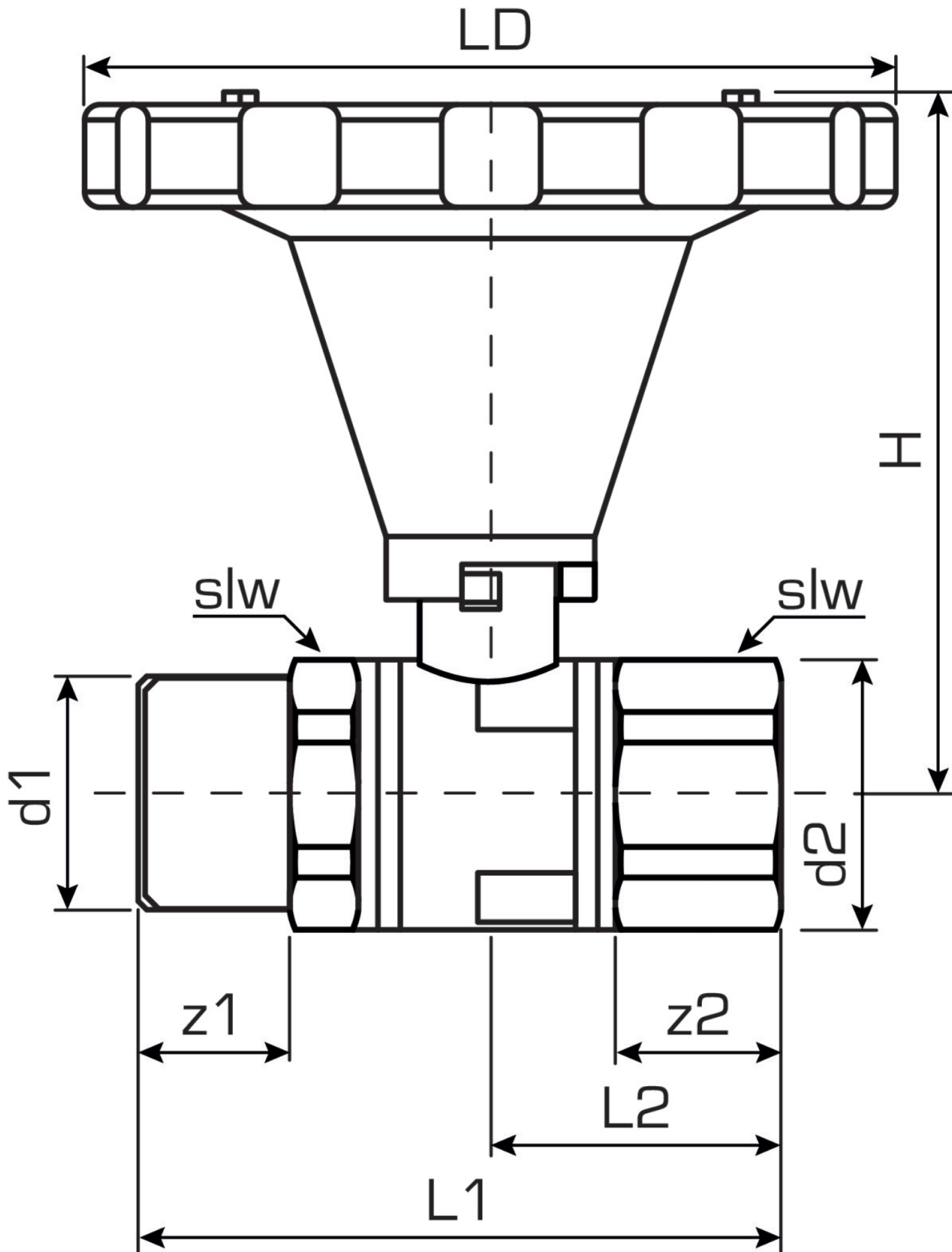


Connection ball valves in straight form for shut-off of 6/4" manifolds, flat sealing male thread to manifold incl. seal, thermometer from 0-120°C, brass non-porous metallized

Specifications



KE KELIT GmbH
A 4020 Linz, Ignaz-Mayer-Straße 17, Austria, Europe
PHONE +43 (0) 50 779 **E-MAIL** office@kekelit.com
www.kekelit.com



Art. No

90049050



KE KELIT GmbH

A 4020 Linz, Ignaz-Mayer-Straße 17, Austria, Europe

PHONE +43 (0) 50 779 **E-MAIL** office@kekelit.com

www.kekelit.com