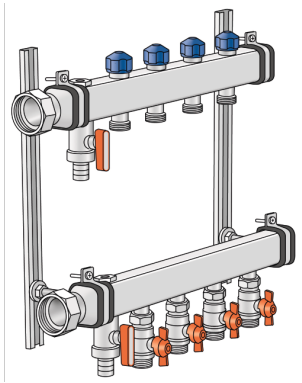


# KELOX<sub>FB</sub>

ULTRA PE-RT industrial surface manifold pipe  
6/4" 3 L:380mm

7964030

## Areas of application



6/4" stainless steel flow and return flow bar with bleeding and emptying at the manifold end, connections with screwed-in 6/4" flat-sealing cap nut. On the feed line ball valve, 3/4" non-porous metallized brass with euro cone male thread; on the return line thermostatic valve for setting the water amount, heating circuit outlets 3/4" euro cone with male thread, return flow valve bonnets to fit KM596 KELOX thermal motor including soundproofed steel consoles

Area of application: tmax. 80°C/6 bar

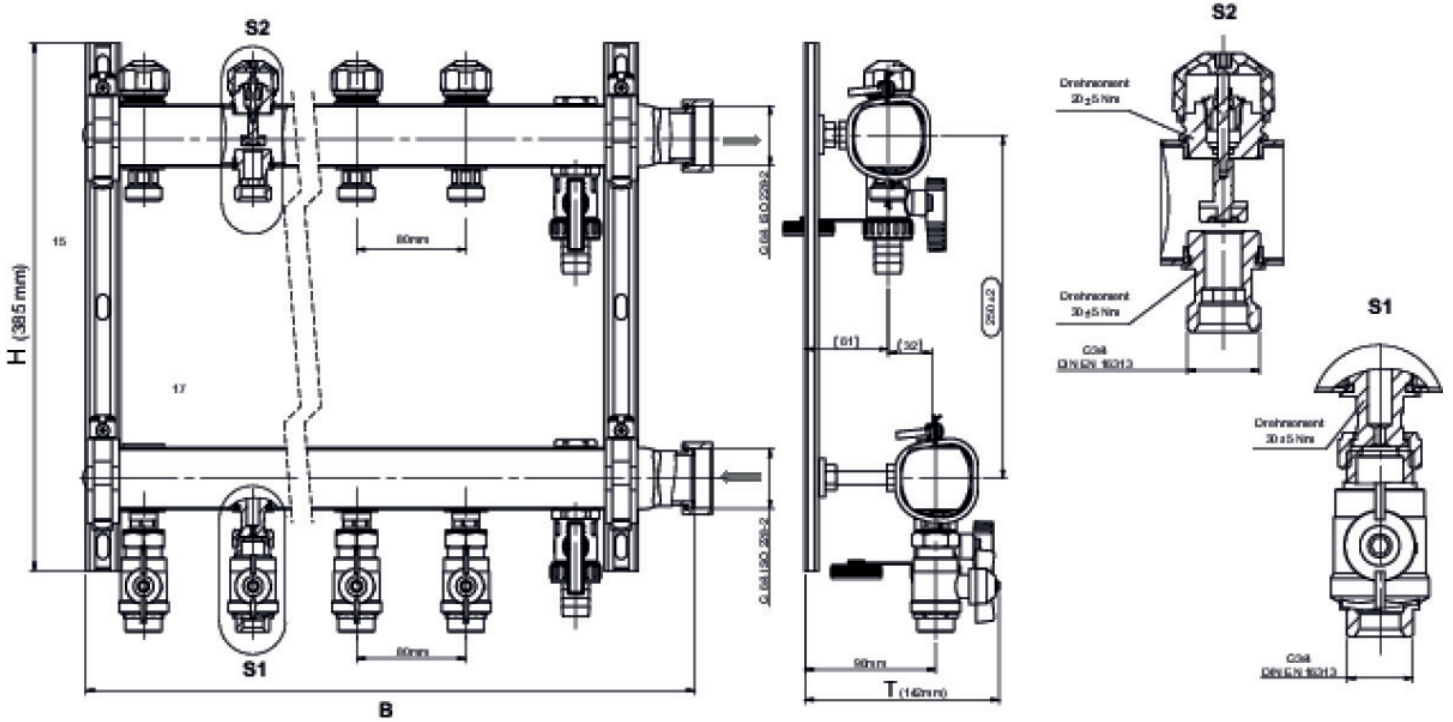
ATTENTION - WITHOUT KM220 Euro screw fitting!

# Specifications

## Product information

text

ULTRA PE-RT industrial surface manifold pipe 6/4"



Art. No

label

7964030

3 L:380mm