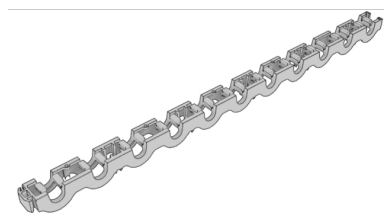


CLIMATE FIX

KC610B CLIMATEFIX near surface thermal activated concrete clamping rail 16

R6353060

Areas of application



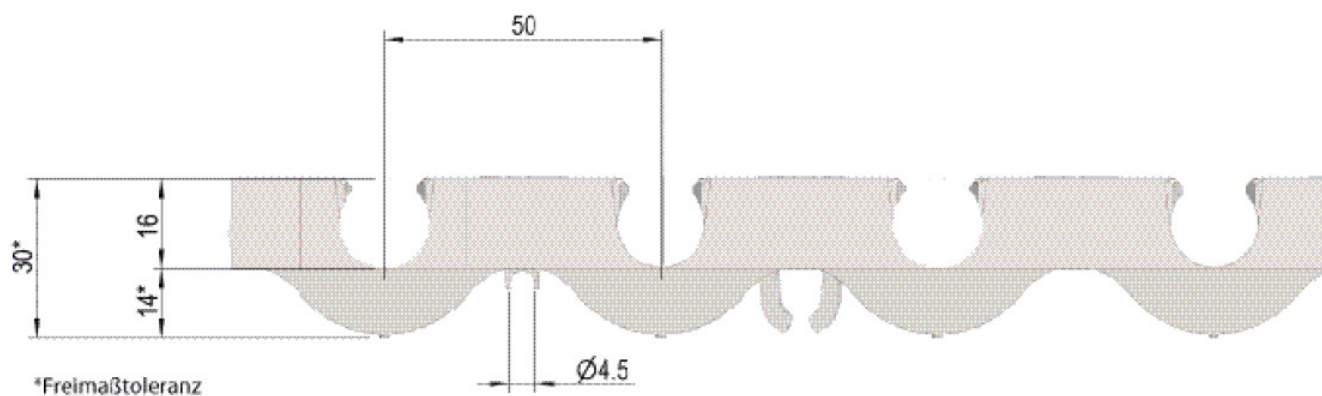
PP clamping rail (recycled granulate, colour may differ), with self-clamping pipe fastening for pipes d16mm in 50mm spacing or optional 4.5mm pipe, endlessly expandable through a push fitting, fastening option with optionally KC611 stainless steel nails.

d16: L: 0.55m W: 30mm H: 30mm

Specifications

Product information

VPE1	182,00 KT1
VPE2	2912,00 PAL
L	0,55 m
weight	0,098 KGM
text	CLIMATEFIX near surface thermal activated concrete clamping rail
INTRNR	39161000
main material group	CLIMATEFIX
material group	CLIMATEFIX fittings
code	KC610B



Art. No	label
R6353060	16