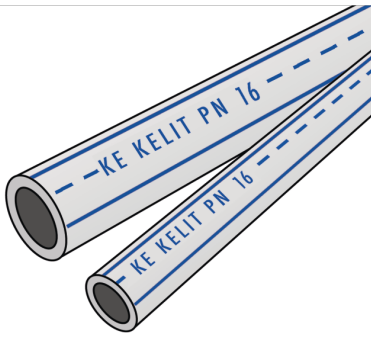


KELEN

KE08 KELEN PP-RCT pipe - PN16 125 x 17.1

1681201

Areas of application



KELEN PP-RCT drinking water pipe system conforming to ÖNORM EN ISO 15874 made of polypropylene (PP-RCT)

Application area: 20°C/16 bar - 70°C/10 bar

Colour: grey with 3 co-extruded blue longitudinal lines

Length: 4m

Approvals:



KE KELIT GmbH

A 4020 Linz, Ignaz-Mayer-Straße 17, Austria, Europe

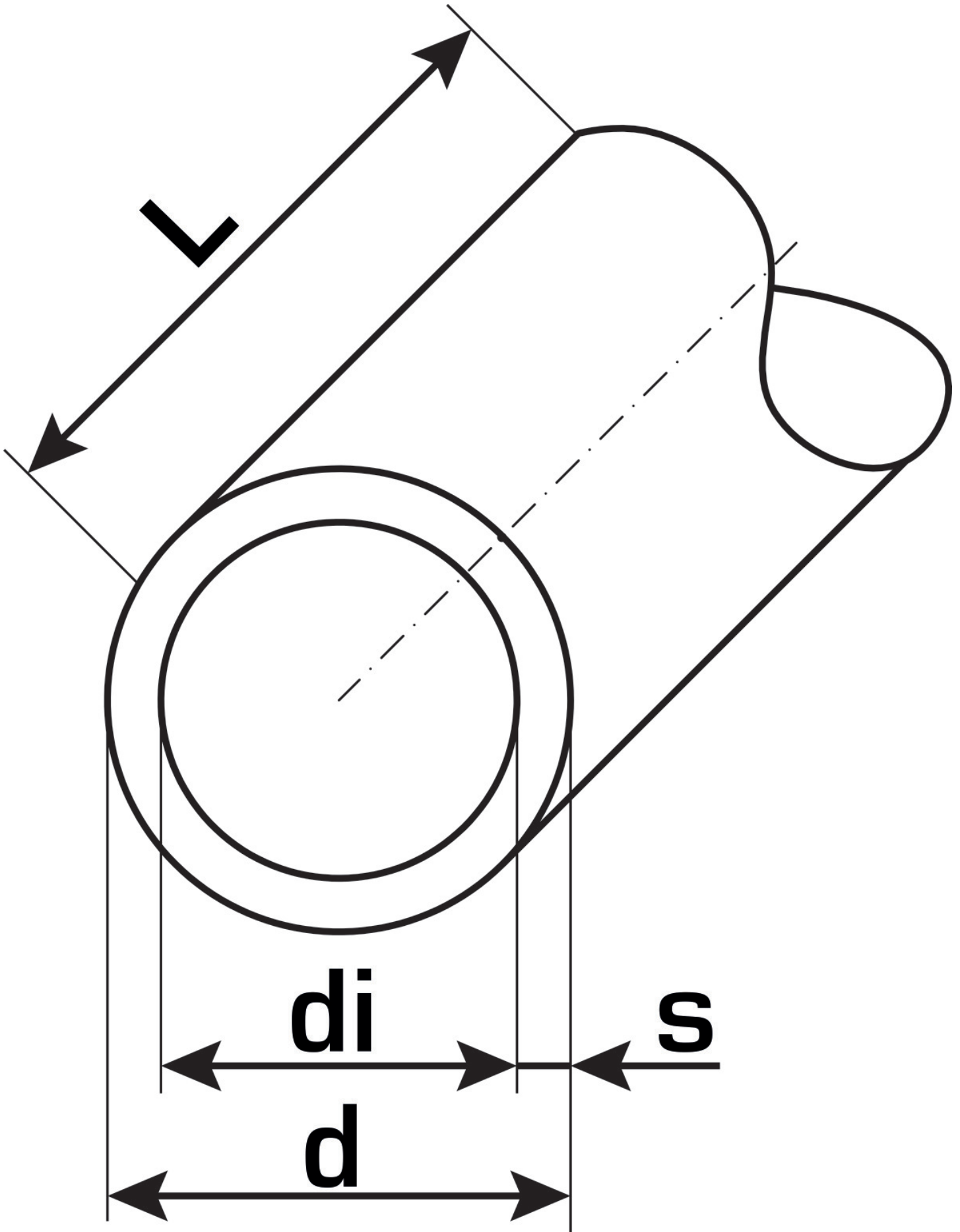
PHONE +43 (0) 50 779 E-MAIL office@kekelit.com

www.kekelit.com

Specifications

Product information

VPE1	4,00 BND
weight	4,494 KGM
text	KELEN PP-RCT pipe - PN16
INTRNR	39172290
main material group	KELEN
material group	KELEN pipes
code	KE08



Art. No	label
1681201	125 x 17.1



KE KELIT GmbH
A 4020 Linz, Ignaz-Mayer-Straße 17, Austria, Europe
PHONE +43 (0) 50 779 **E-MAIL** office@kekelit.com
www.kekelit.com