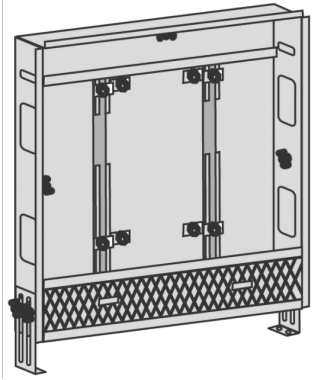


KELOX_{FB}

KM570 KELOX universal manifold cabinet body Screed panel 460mm

1001003

Areas of application



?Sendzimir-galvanised sheet metal cabinet can be connected from below or at the side; height-adjustable feet; surface-or flush-mounted visible part can be retrofitted. Number of manifold outlets matched to KM590E and KMP590M KELOX FB manifold plaster trim element below cabinet, Width: max. 120mm
Cabinet depth: 75mm
Installation height: 600mm above finished floor

Specifications

Product information		
VPE1		1,00 KT1
weight		0,200 KGM
text		KELOX universal manifold cabinet body
INTRNR		84818099
code		KM570

Art. No	label	t mm
1001003	Screed panel 460mm	75