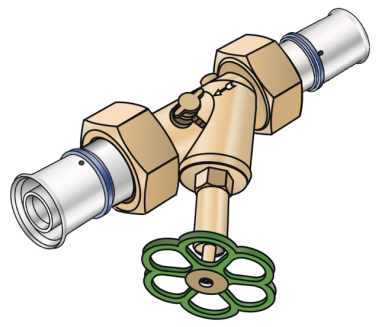


KELOX

KMU452 KELOX-ULTRAX slanted-seat valve 40-DN32

71233GG0

Areas of application



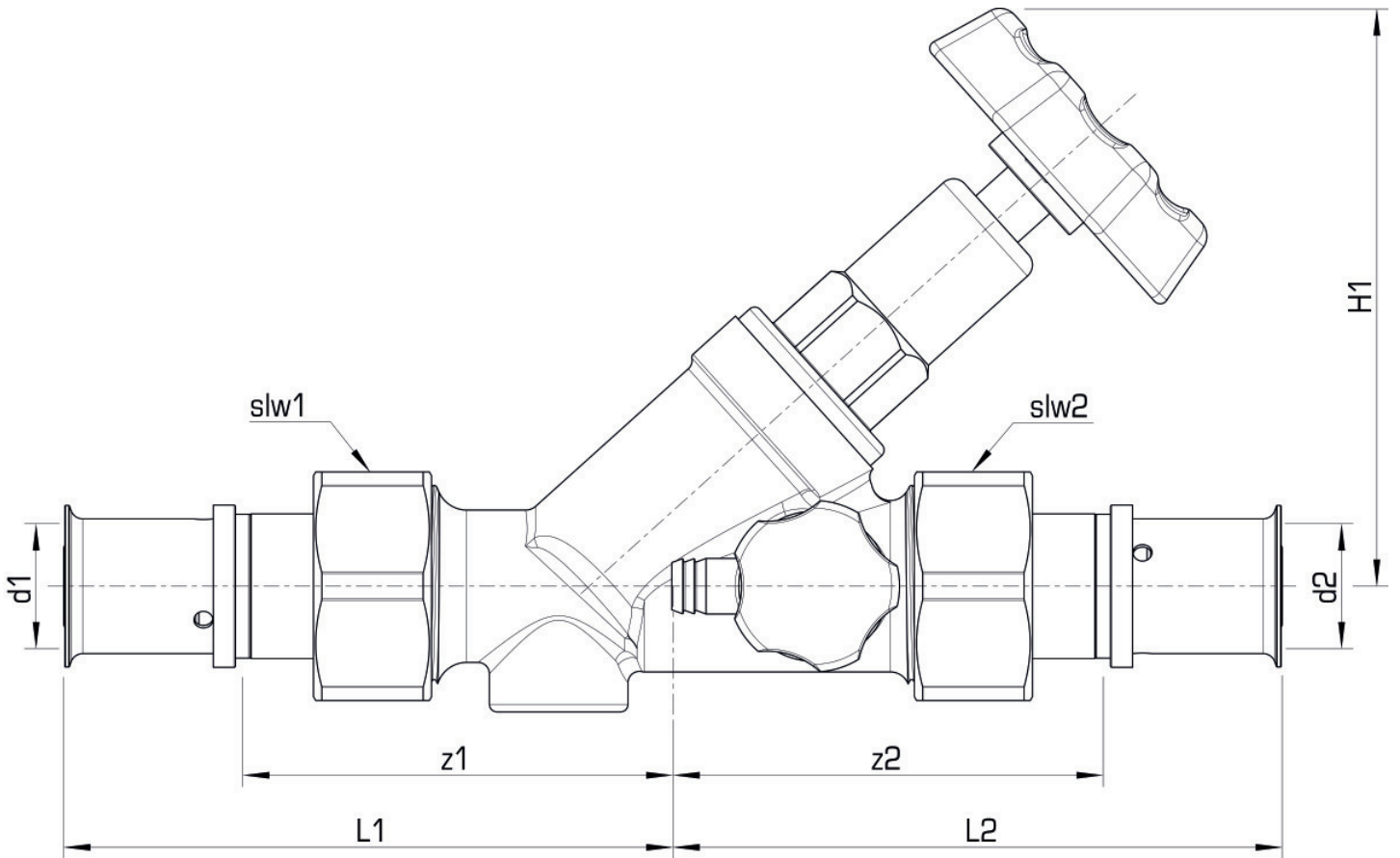
Slanted-seat valve with ULTRAX press-fit threaded unions KMU455 top part free of dead space, flat-sealing incl. seal and drain outlet "leak before pressed"

Approvals:



Specifications

Product information	
VPE1	1,00 SA1
VPE2	5,00 KT1
weight	2,337 KGM
text	KELOX-ULTRAX slanted-seat valve
INTRNR	74122000
main material group	KELOX
material group	KELOX-ULTRAX metal fittings
code	KMU452



Art. No	label
71233GG0	40-DN32