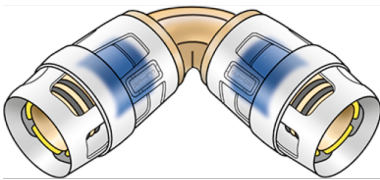


# KELOX

## KMP420ZX KELOX-PROTEC CLIX Zeta elbow 90° 20

730104DD0

### Areas of application



Zeta value-optimised push-in elbow 90°, made of non-porous dezincification-resistant (DZR) brass, incl. push-on sleeve made of transparent polyamide with insertion click noise, as well as haptic and optical insertion indicator, O-rings, withdrawal barriers and a protector ring as an insertion locking device

## Approvals:



# Specifications

## Article information

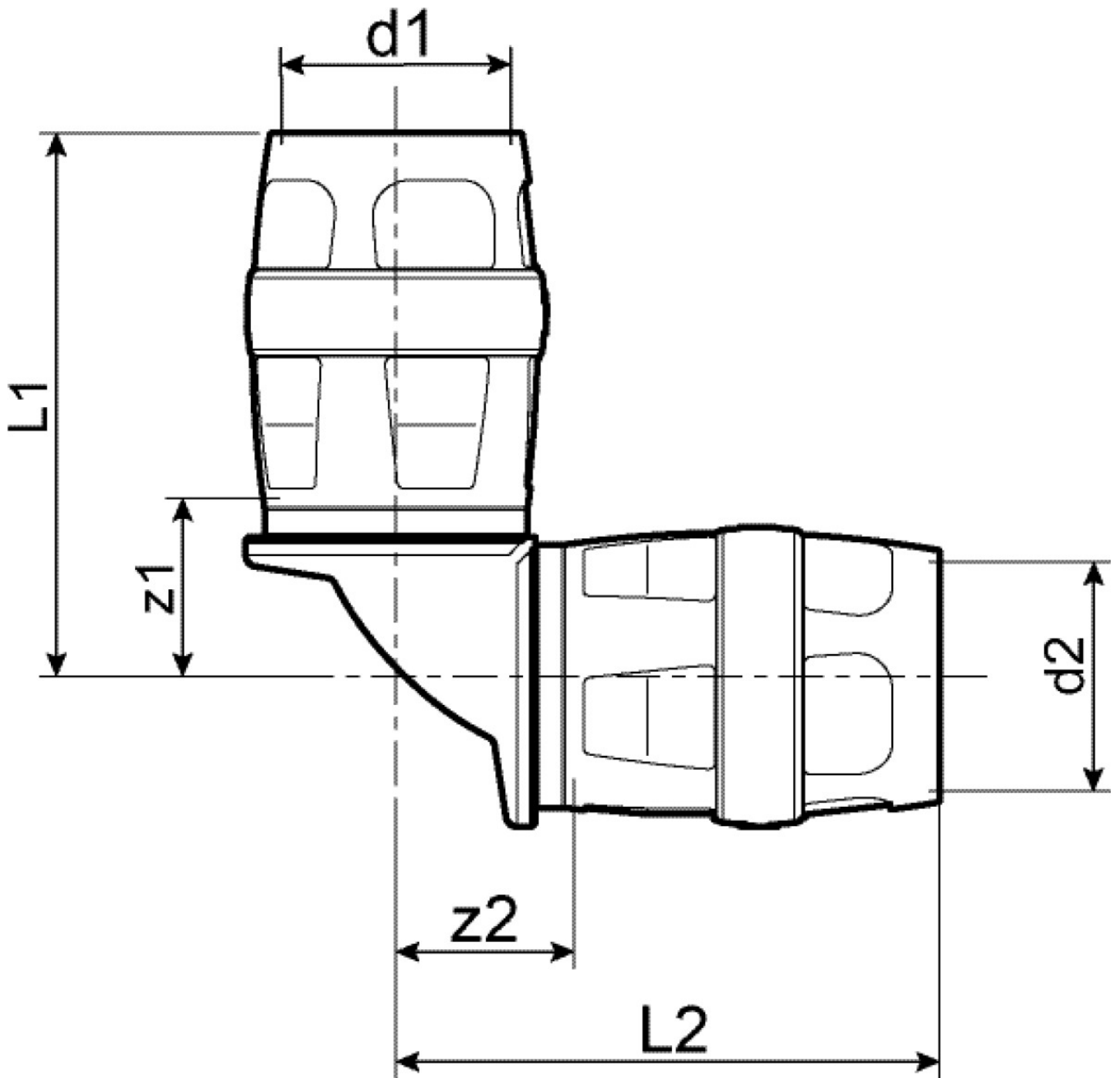
|           |               |
|-----------|---------------|
| port 1    | Plug-in       |
| port 2    | Plug-in       |
| execution | Miscellaneous |
| design    | Knee          |
| angle     | 90 °          |

## Technical properties

|                                    |        |
|------------------------------------|--------|
| maximum working pressure at 20 ° C | 10 bar |
|------------------------------------|--------|

## Product information

|                     |                                  |
|---------------------|----------------------------------|
| VPE1                | 10,00 SA1                        |
| VPE2                | 80,00 KT1                        |
| weight              | 0,016 KGM                        |
| text                | KELOX-PROTEC CLIX Zeta elbow 90° |
| INTRNR              | 74122000                         |
| main material group | KELOX                            |
| material group      | KELOX-PROtec pushfittings        |
| code                | KMP420ZX                         |



| Art. No   | label | d1 mm | d2 mm | L1 mm | L2 mm | z1 mm | z2 mm |
|-----------|-------|-------|-------|-------|-------|-------|-------|
| 730104DD0 | 20    | 20    | 20    | 48    | 48    | 15    | 15    |