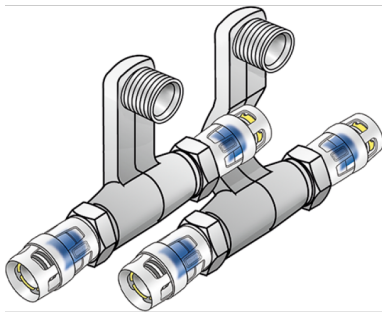


# KELOX

## KMP435X KELOX-PROTEC CLIX skirting board connecting set 20x1/2"x20

730155DD2

### Areas of application



Skirting board radiator connecting set with PROTEC press-fit adapters; made of non-porous metallised brass, incl. push-on sleeve made of transparent polyamide with an insertion click sound, as well as haptic and optical insertion indicator, O-rings, withdrawal barriers and a protector ring as an insertion locking device with 1/2" male thread radiator connections

## Approvals:



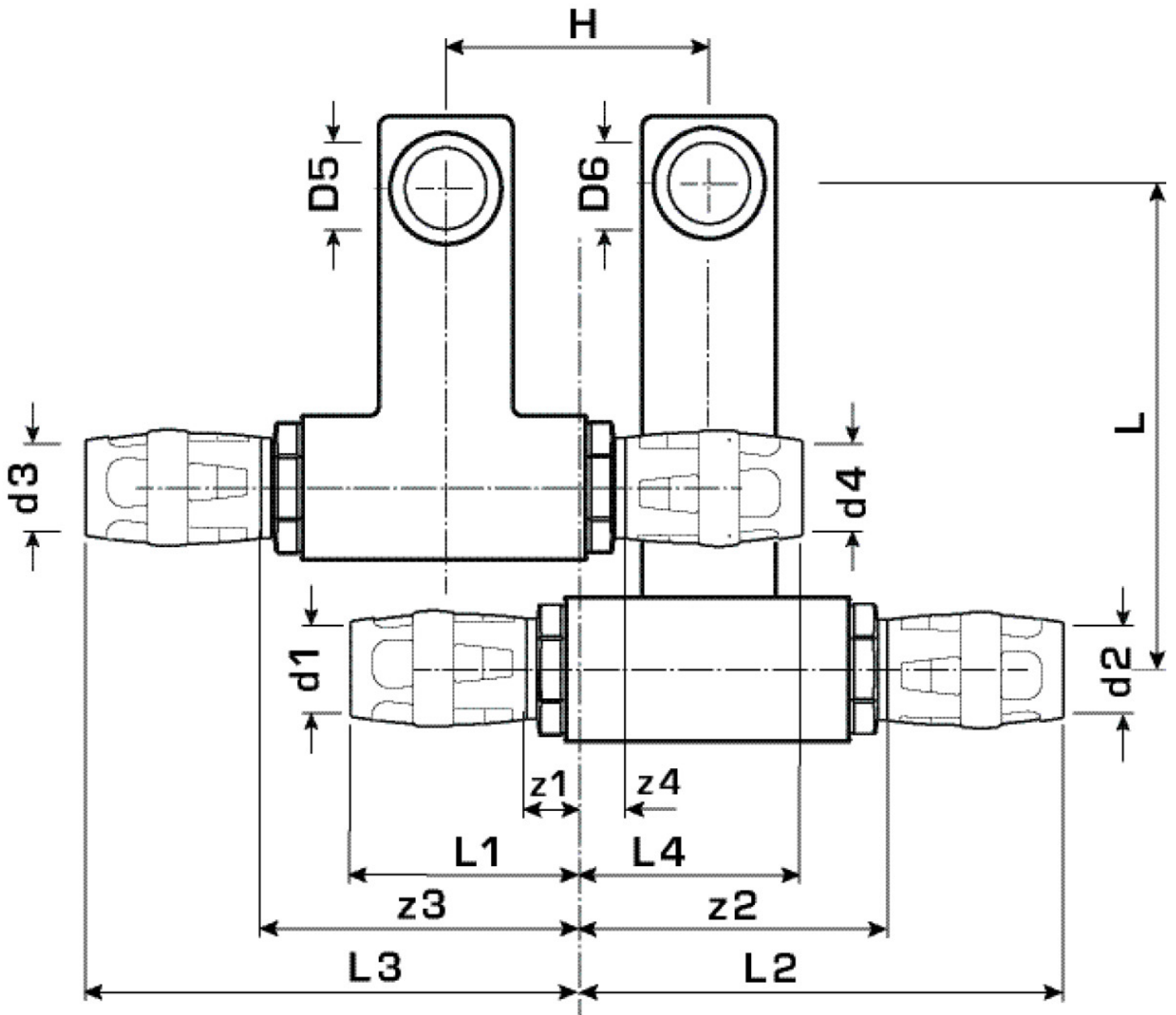
# Specifications

## Article information

<b>port 1</b>	Plug-in sleeve
<b>port 2</b>	Plug-in sleeve
<b>execution</b>	Miscellaneous

## Product information

<b>VPE1</b>	1,00 SA1
<b>VPE2</b>	10,00 KT1
<b>weight</b>	0,793 KGM
<b>text</b>	KELOX-PROTEC CLIX skirting board connecting set
<b>INTRNR</b>	74122000
<b>main material group</b>	KELOX
<b>material group</b>	KELOX-PROtec pushfittings
<b>code</b>	KMP435X



Art. No	label	d5 Inche	d6 Inche	d1 mm	d2 mm	d3 mm	d4 mm	L1 mm	L2 mm	L3 mm	L4 mm	z1 mm	z2 mm	z3 mm	z4 mm	h mm
7301E	20x1/2	1/2" (15)	1/2" (15)	20	20	20	20	45	95	95	45	10	62	60	10	95