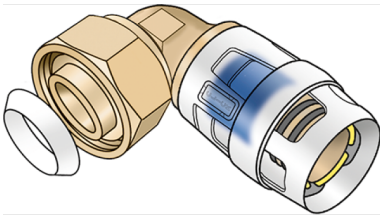


KELOX

KMP456KX KELOX-PROTEC CLIX screw fitting 90° with female thread & wedge seal 20x1/2"

730207D02

Areas of application



Plug-in elbow screw fitting 90° with female thread for connecting to fittings, or threaded nipples made of dezincification-resistant brass (DZR), including support sleeves with insertion click noise, as well as haptic and optical insertion indicator, O-rings, withdrawal barriers and protector ring as insertion locking device, incl. wedge seal

Approvals:



Specifications

Article information

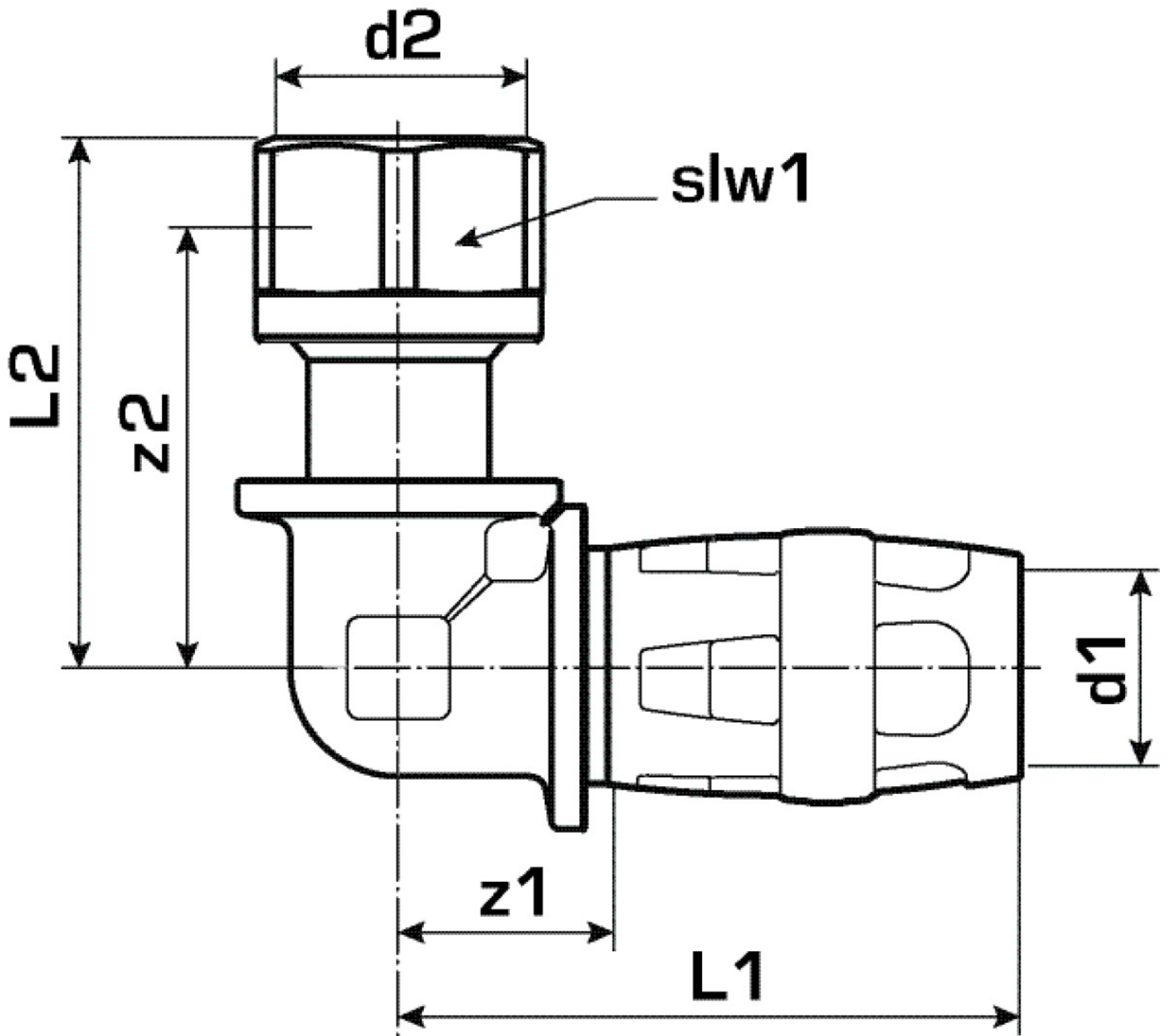
port 1	Plug-in
port 2	Female thread cylindrical BSPT-Rp (ISO 7-1)
design	Knee
angle	90 °

Technical properties

maximum working pressure at 20 ° C	10 bar
------------------------------------	--------

Product information

VPE1	10,00 SA1
VPE2	120,00 KT1
weight	0,108 KGM
text	KELOX-PROTEC CLIX screw fitting 90° with female thread & wedge seal
INTRNR	74122000
main material group	KELOX
material group	KELOX-PROtec pushfittings
code	KMP456KX



Art. No	label	d2	d1 mm	L1 mm	L2 mm	z1 mm	z2 mm	slw2 mm
730207D02	20x1/2"	1/2" (15)	20	52	44	19	36,5	24