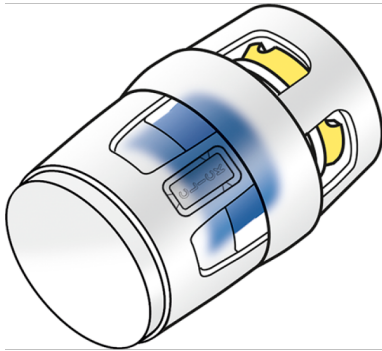


# KELOX

## KWP471X KELOX-PROTEC CLIX PPSU end cap 20

730620D00

### Areas of application



End cap made of PPSU incl. push-on sleeve made of transparent polyamide with insertion click noise, as well as haptic and optical insertion indicator, O-rings, withdrawal barriers and a protector ring as an insertion locking device

### Approvals:



KE KELIT GmbH

A 4020 Linz, Ignaz-Mayer-Straße 17, Austria, Europe

PHONE +43 (0) 50 779 E-MAIL [office@kekelit.com](mailto:office@kekelit.com)

[www.kekelit.com](http://www.kekelit.com)

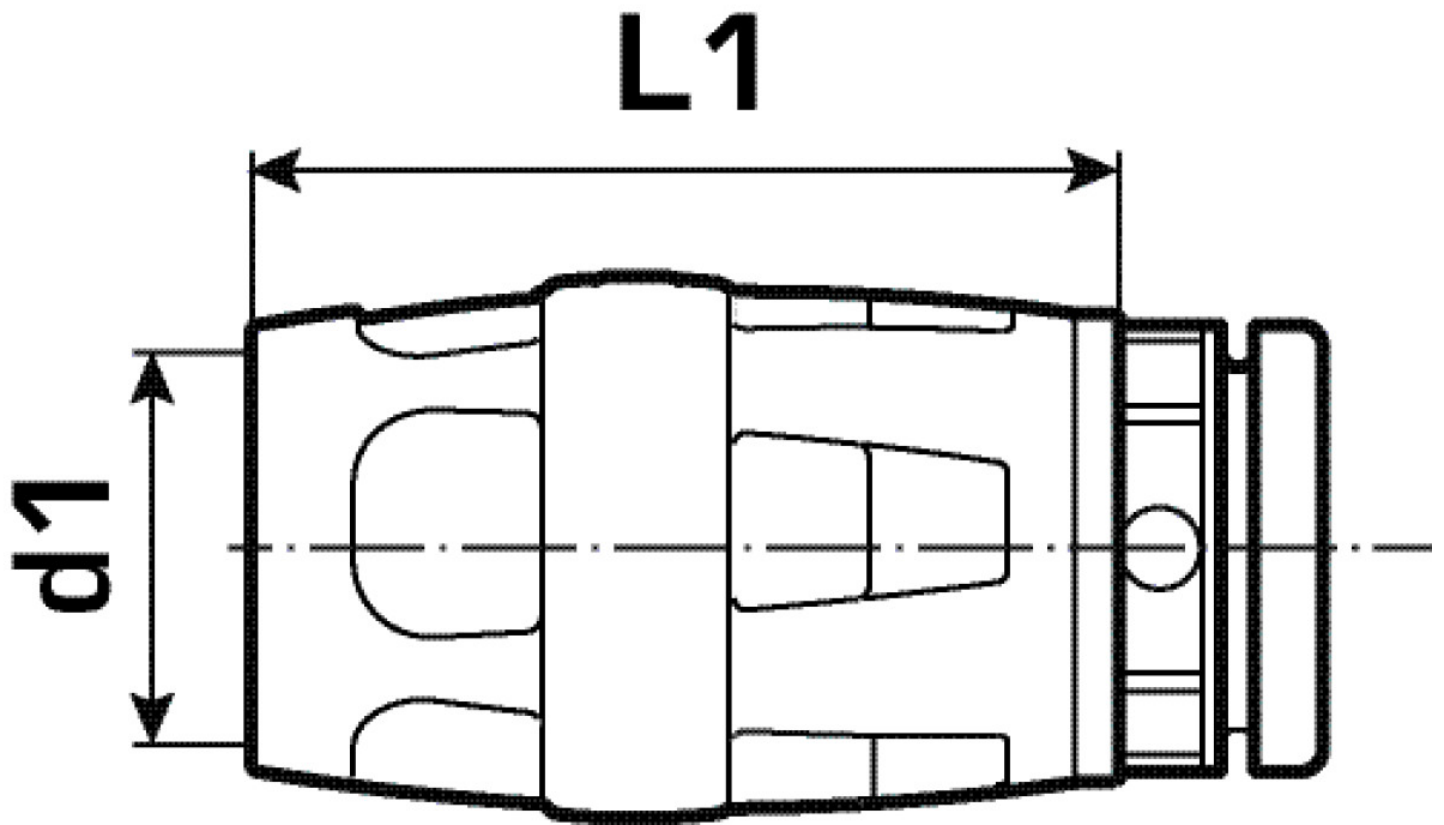
# Specifications

## Article information

port 1 Plug-in

## Product information

VPE1	10,00 SA1
VPE2	140,00 KT1
weight	0,017 KGM
text	KELOX-PROTEC CLIX PPSU end cap
INTRNR	39174000
main material group	KELOX
material group	KELOX-PROtec-PPSU pushfittings
code	KWP471X



Art. No	label	d1 mm	L1 mm
730620D00	20	20	36