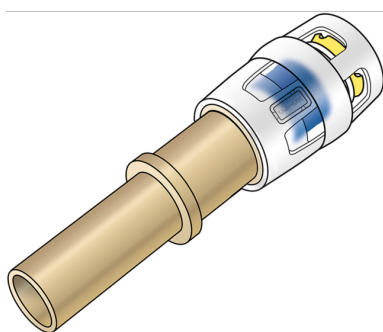


# CLIMATE FIX

## KCP489X CLIMATEFIX-PROTEC CLIX adapter 16/12

730273B36

### Areas of application



?KELOX-PROTEC CLIX push-in adapter, straight, for connection to flexible fabric hoses (pipe size: 12 mm), body made from brass

ATTENTION: NOT suitable for drinking water!

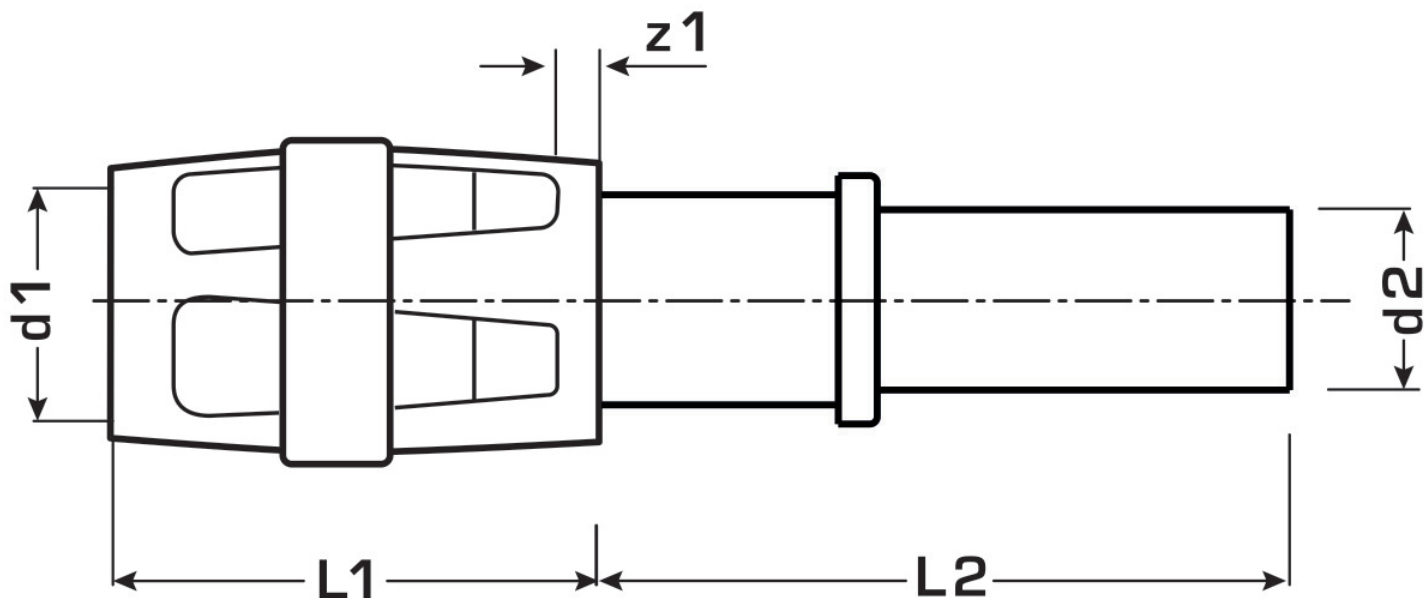
# Specifications

## Article information

<b>port 1</b>	Einsteck (Push-Fitting)
<b>port 2</b>	Zapfen/Rohrende
<b>execution</b>	sonstige
<b>design</b>	gerade

## Product information

<b>VPE1</b>	10,00 SA1
<b>VPE2</b>	180,00 KT1
<b>weight</b>	0,050 KGM
<b>text</b>	CLIMATEFIX-PROTEC CLIX adapter
<b>INTRNR</b>	74122000
<b>main material group</b>	CLIMATEFIX
<b>material group</b>	CLIMATEFIX fittings
<b>code</b>	KCP489X



Art. No	label	d1 mm	d2 mm	L1 mm	L2 mm	z1 mm
730273B36	16/12	16	12	34	46	3