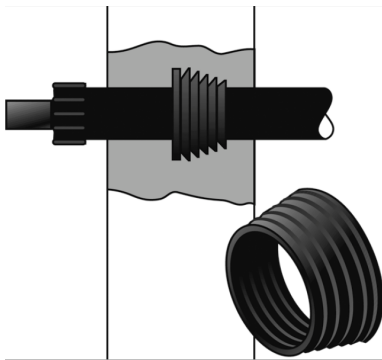


# KELIT P

## P7100 KELIT house infeed

3560700

### Areas of application



House lead-in or wall ducts (sealing ring) made of neoprene, for watertight pipe ducts with normal soil water. In the case of higher (pressing) groundwater, we recommend using PEX77 annular seals.

# Specifications

## Product information

|                            |                                 |
|----------------------------|---------------------------------|
| <b>casing DA</b>           | 180-182                         |
| <b>VPE1</b>                | 1,00 STK                        |
| <b>weight</b>              | 0,500 KGM                       |
| <b>text</b>                | KELIT house infeed              |
| <b>INTRNR</b>              | 39174000                        |
| <b>main material group</b> | KELIT P                         |
| <b>material group</b>      | KELIT P sleeves and accessories |
| <b>code</b>                | P7100                           |

## Art. No

3560700



**KE KELIT GmbH**

A 4020 Linz, Ignaz-Mayer-Straße 17, Austria, Europe

**PHONE** +43 (0) 50 779 **E-MAIL** office@kekelit.com

[www.kekelit.com](http://www.kekelit.com)