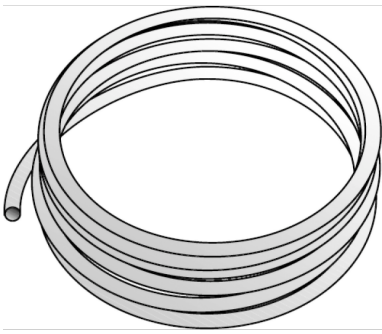


# KELOX

## KM100 ?KELOX multilayer pipe 20x2.25/100

7521200E

### Areas of application



?KELOX multilayer pipe conforming to ÖNORM EN ISO 21003, oxygen-and water vapour diffusion-tight 5-layer PE-RT/Al/PE-RT composite pipe

Operating conditions classified acc. to ÖNORM EN ISO 21003

Sanitary application - Class 2: 70°C - tmax 80°C/10 bar

Radiator connection - Class 5: 80°C - tmax 90°C/10 bar

Colour: white/transparent

Supplied in coils

## Approvals:



# Specifications

## Article information

color White

flexible 1

## Technical properties

maximum working pressure at 20 ° C 10 bar

pipe weight 0,15 kg/m

pipe contents 0,189 l/m

lambda pipe 0,45 W/(m.K)

wall rawness 0.007 mm

expansion coefficient 0.025 mm/(m.K)

## Product information

VPE1 100,00 ROL

VPE2 1000,00 PAL

L 100 m

weight 0,157 KGM

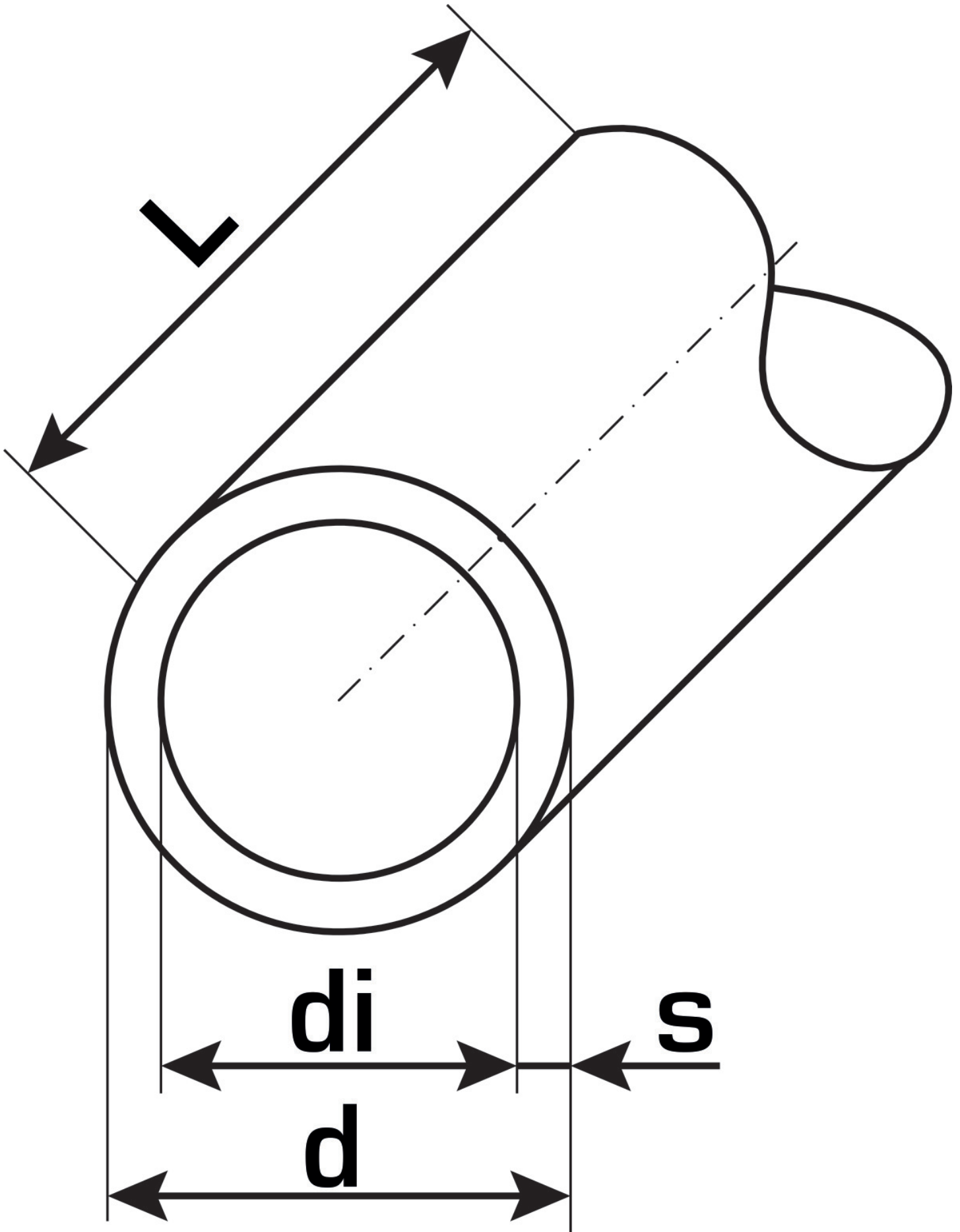
text ?KELOX multilayer pipe

INTRNR 39173900

main material group KELOX

material group KELOX pipes

code KM100



Art. No	label	d1 mm	pipe contents l/m	s mm
7521200E	20x2.25/100	20	0,189	2.25



**KE KELIT GmbH**

A 4020 Linz, Ignaz-Mayer-Straße 17, Austria, Europe

**PHONE** +43 (0) 50 779 **E-MAIL** [office@kekelit.com](mailto:office@kekelit.com)

[www.kekelit.com](http://www.kekelit.com)