

# KELOX

## KM130 KELOX plus pipe - 9mm 20x2.25

7521202

### Areas of application



?KELOX multilayer pipe conforming to ÖNORM EN ISO 21003, oxygen- and water vapour diffusion-tight 5-layer PE-RT/Al/PE-RT composite pipe, with factory-applied 9mm closed-cell soft foam insulation and jacket made of viscoplastic PE film

Classification of operating conditions according to ÖNORM EN ISO 21003

Sanitary application - Class 2: 70°C - tmax 80°C/10 bar

Radiator connection - Class 5: 80°C - tmax 90°C/10 bar

Insulation thickness: 9mm

Colour: red

Supplied in coils

## Approvals:



# Specifications

## Article information

**color** White

**colour isolation** Red

**flexible** 1

**isolation** 1

## Technical properties

**maximum working pressure at 20 ° C** 10 bar

**thick thermal insulation** 9 mm

**pipe weight** 0,23 kg/m

**pipe contents** 0,189 l/m

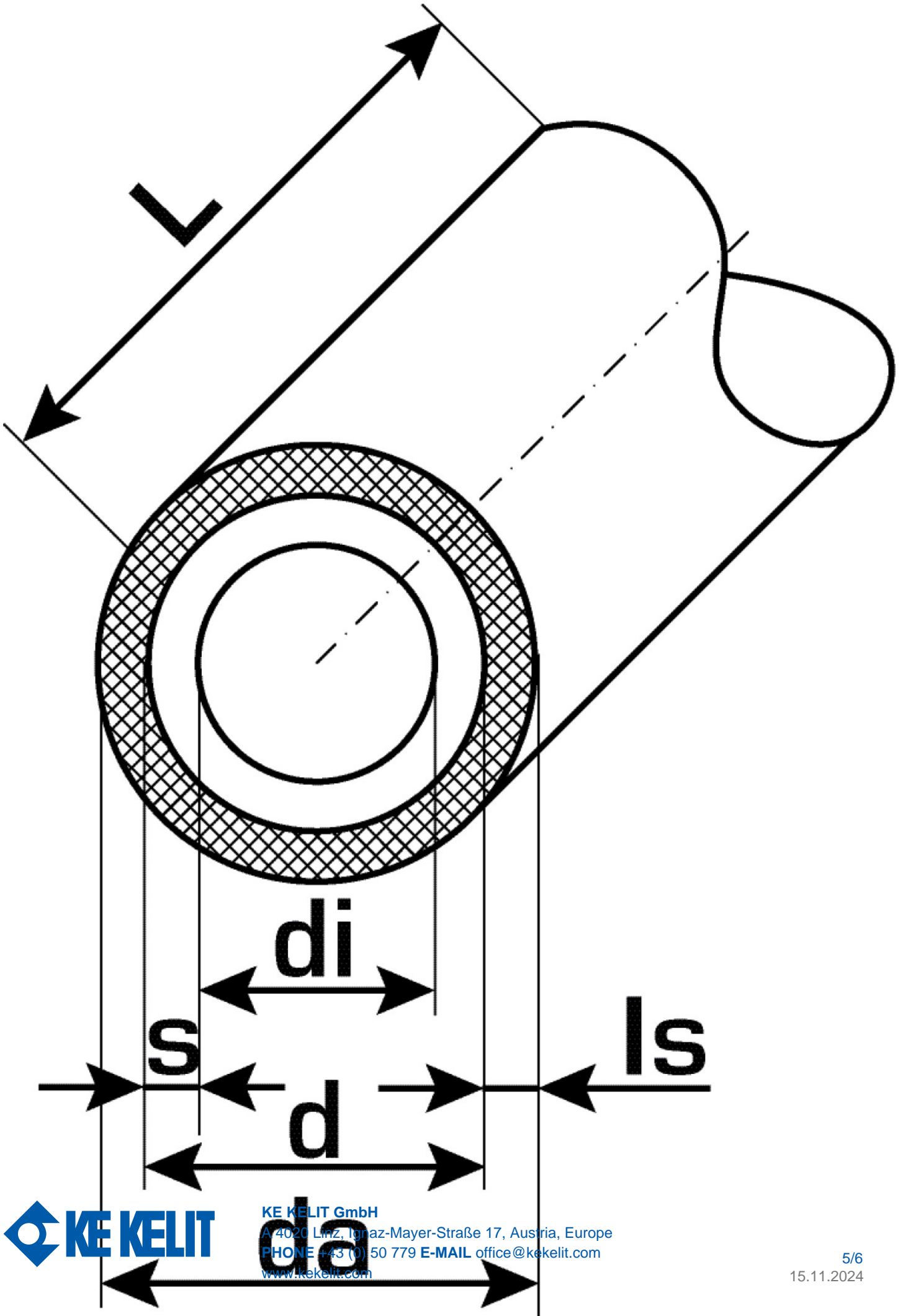
**lambda pipe** 0,45 W/(m.K)

**wall rawness** 0.007 mm

**expansion coefficient** 0.025 mm/(m.K)

## Product information

|                     |                       |
|---------------------|-----------------------|
| VPE1                | 100,00 ROL            |
| VPE2                | 700,00 PAL            |
| L                   | 100 m                 |
| weight              | 0,230 KGM             |
| text                | KELOX plus pipe - 9mm |
| INTRNR              | 39173900              |
| main material group | KELOX                 |
| material group      | KELOX isolierte pipes |
| code                | KM130                 |



| Art. No | label   | d1 mm | d Jacket tube mm | pipe contents l/m | s mm |
|---------|---------|-------|------------------|-------------------|------|
| 7521202 | 20x2.25 | 20    | 38               | 0,189             | 2.25 |



**KE KELIT GmbH**

A 4020 Linz, Ignaz-Mayer-Straße 17, Austria, Europe

**PHONE** +43 (0) 50 779 **E-MAIL** [office@kekelit.com](mailto:office@kekelit.com)

[www.kekelit.com](http://www.kekelit.com)