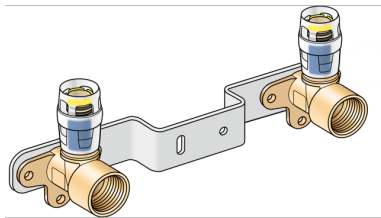


KELOX

KMP485KX KELOX-PROTEC CLIX connection set 2.5cm 20x1/2" 15cm

730292D02

Areas of application



With KMP480X plug-in wall bracket fittings with female thread, made of dezincification-resistant brass (DZR), including support sleeves, O-rings, withdrawal barriers and a protector ring as an insertion locking device

Overall height:

DO NOT screw in any threaded pipes and cast iron fittings!

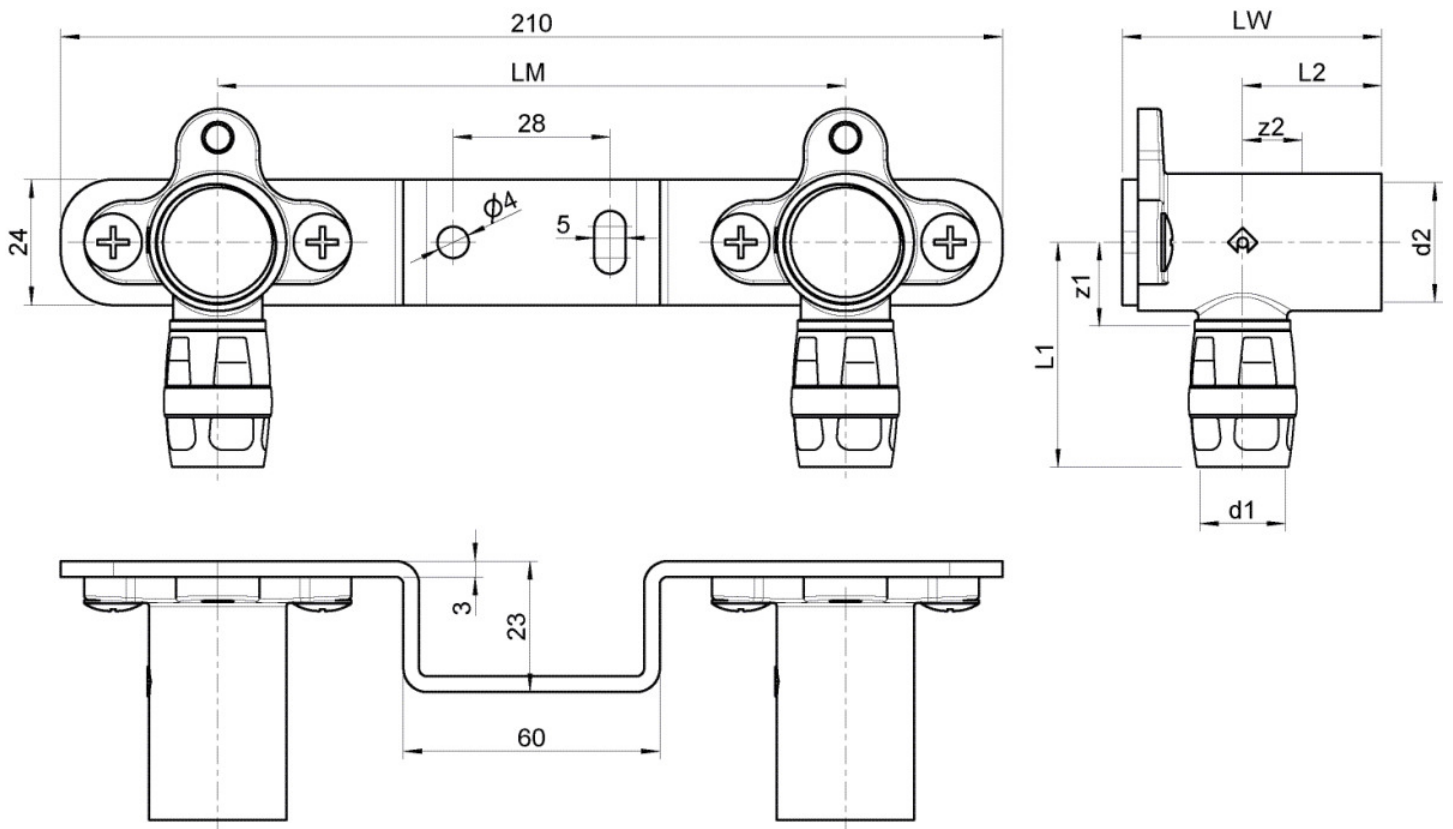
Approvals:



Specifications

Product information

VPE1	10,00 KT1
weight	0,737 KGM
text	KELOX-PROTEC CLIX connection set 2.5cm
INTRNR	74122000
main material group	KELOX
material group	KELOX-PROtec pushfittings
code	KMP485KX



Art. No	label	d1 mm
730292D02	20x1/2" 15cm	20



KE KELIT GmbH

A 4020 Linz, Ignaz-Mayer-Straße 17, Austria, Europe

PHONE +43 (0) 50 779 **E-MAIL** office@kekelit.com

www.kekelit.com