

KELEN

KE11 KELEN PP-RCT adapter male 50x6/4"S

2599501

Areas of application



KELEN PP-RCT Polyfusion welding fitting for connecting pipes with fittings made of the same material (no reduction of internal diameter), with injected male thread made of dezincification-resistant brass, non-porous metal plating, thread conforms to ÖNORM EN 10226

System parts marked with an "S" are produced with a wrench attachment connection

Approvals:



KE KELIT GmbH

A 4020 Linz, Ignaz-Mayer-Straße 17, Austria, Europe

PHONE +43 (0) 50 779 E-MAIL office@kekelit.com

www.kekelit.com

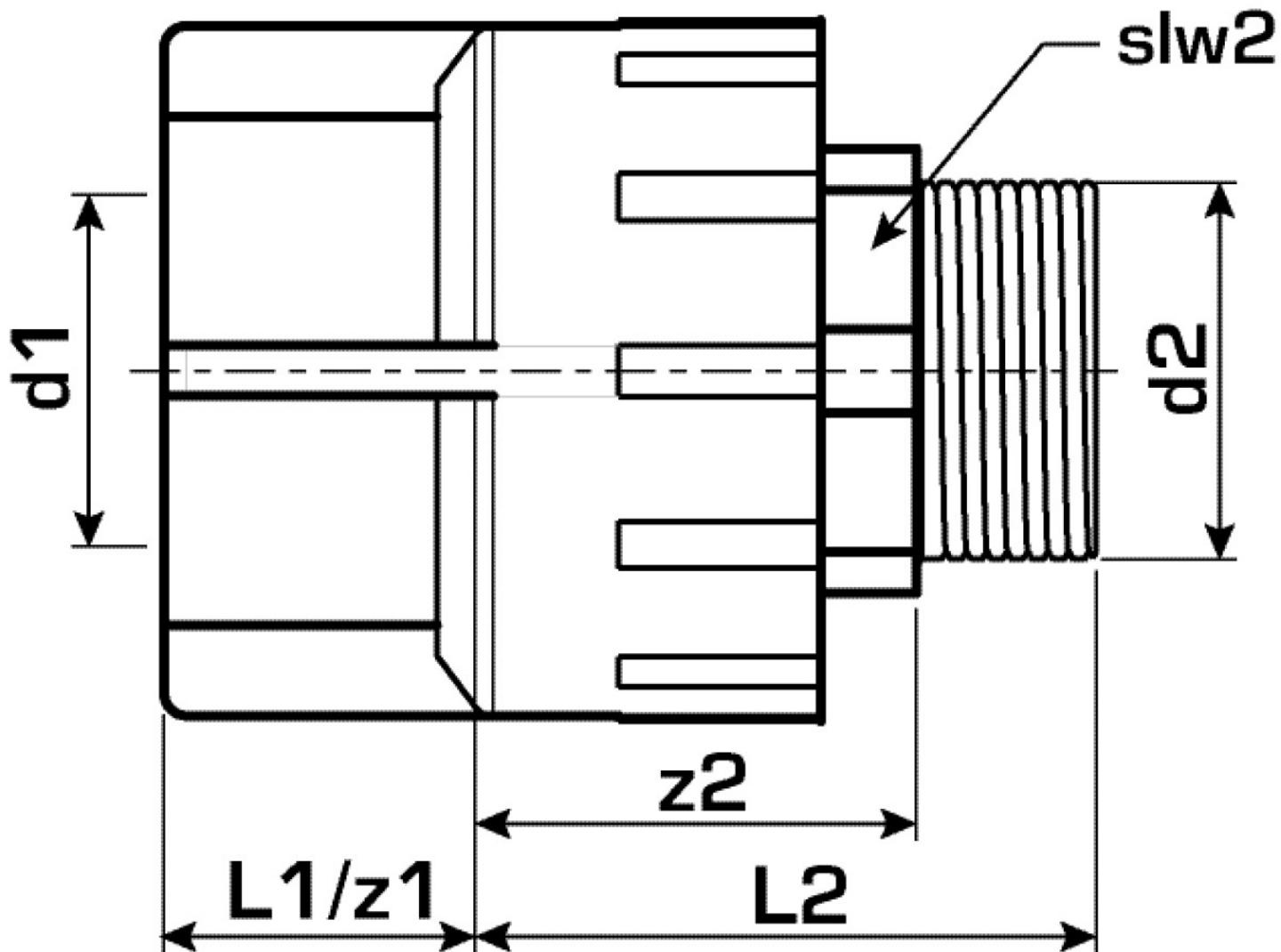
Specifications

Article information

port 1	Kunststoffschweißmuffe
port 2	Außengewinde konisch (NPT)
execution	2-part
design	gerade

Product information

VPE1	2,00 SA1
VPE2	12,00 KT1
VPE3	48,00 KT2
VPE4	1152,00 PAL
weight	0,648 KGM
text	KELEN PP-RCT adapter male
INTRNR	39174000
main material group	KELEN
material group	KELEN metal fittings
code	KE11



Art. No	label	d2	d1 mm	L1 mm	L2 mm	z1 mm	z2 mm	slw2
2599501	50x6/4"S	1 1/2"	50	27	65	27	41	52