

# KELEN

## KE23 KELEN PP-RCT elbow adapter 90° female 20x3/4"

2603601

### Areas of application



KELEN PP-RCT Polyfusion welding fitting for connecting pipes with fittings made of the same material (no reduction of internal diameter), with injected male thread made of dezincification-resistant brass, non-porous metal plating, threads conform to ÖNORM EN 10226

System parts marked with an "S" are produced with a wrench attachment connection

Do NOT connect to threaded pipes or to cast iron fittings!

## Approvals:



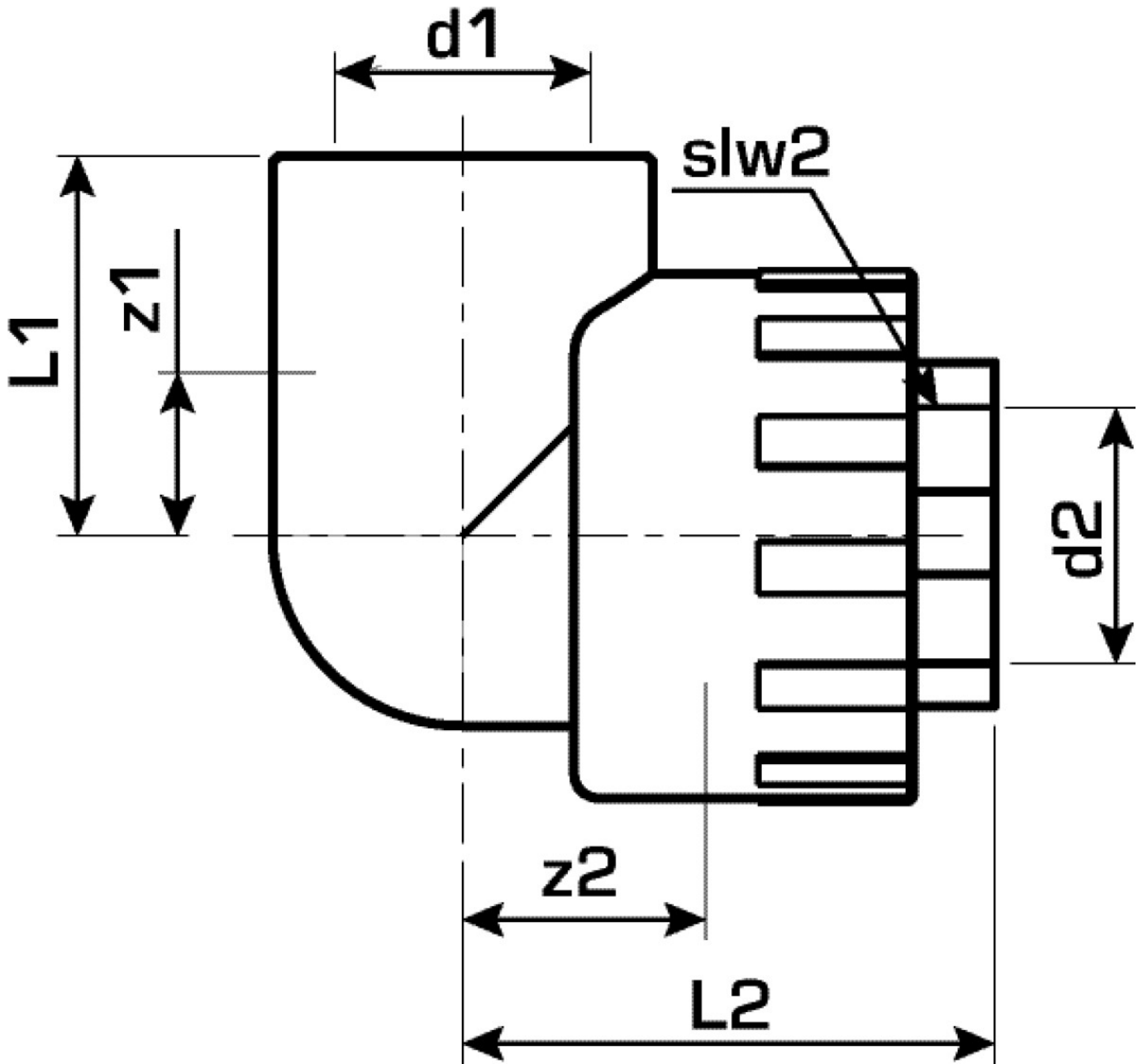
# Specifications

## Article information

|           |   |
|-----------|---|
| port 1    | Kunststoffschweißmuffe                                  |
| port 2    | Innengewinde zylindrisch BSPT-Rp (ISO 7-1 / EN 10226-1) |
| execution | 2-part  |
| design    | Bogen   |
| angle     | 90 °  |

## Product information

|                     |                                       |
|---------------------|---------------------------------------|
| VPE1                | 10,00 SA1                             |
| VPE2                | 60,00 KT1                             |
| VPE3                | 240,00 KT2                            |
| VPE4                | 5760,00 PAL                           |
| weight              | 0,109 KGM                             |
| text                | KELEN PP-RCT elbow adapter 90° female |
| INTRNR              | 39174000                              |
| main material group | KELEN                                 |
| material group      | KELEN metal fittings                  |
| code                | KE23                                  |



| Art. No | label   | d1 mm | L1 mm | L2 mm | z1 mm | z2 mm |
|---------|---------|-------|-------|-------|-------|-------|
| 2603601 | 20x3/4" | 20    | 28    | 35    | 13    | 21    |