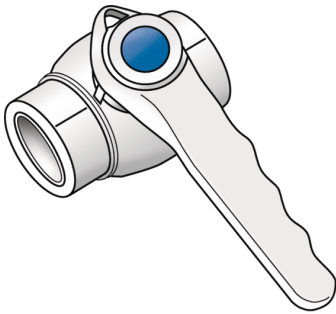


KELEN

KE51 KELIT PPR ball valve PN16 50

2662501

Areas of application



KELIT ball valve polyfusion welding fitting (PP-R), connecting pipes and fittings made of the same material without narrowing the cross section, compatible with KELEN and KETRIX

ATTENTION: Not suitable for minus temperatures

Approvals:



KE KELIT GmbH

A 4020 Linz, Ignaz-Mayer-Straße 17, Austria, Europe

PHONE +43 (0) 50 779 E-MAIL office@kekelit.com

www.kekelit.com

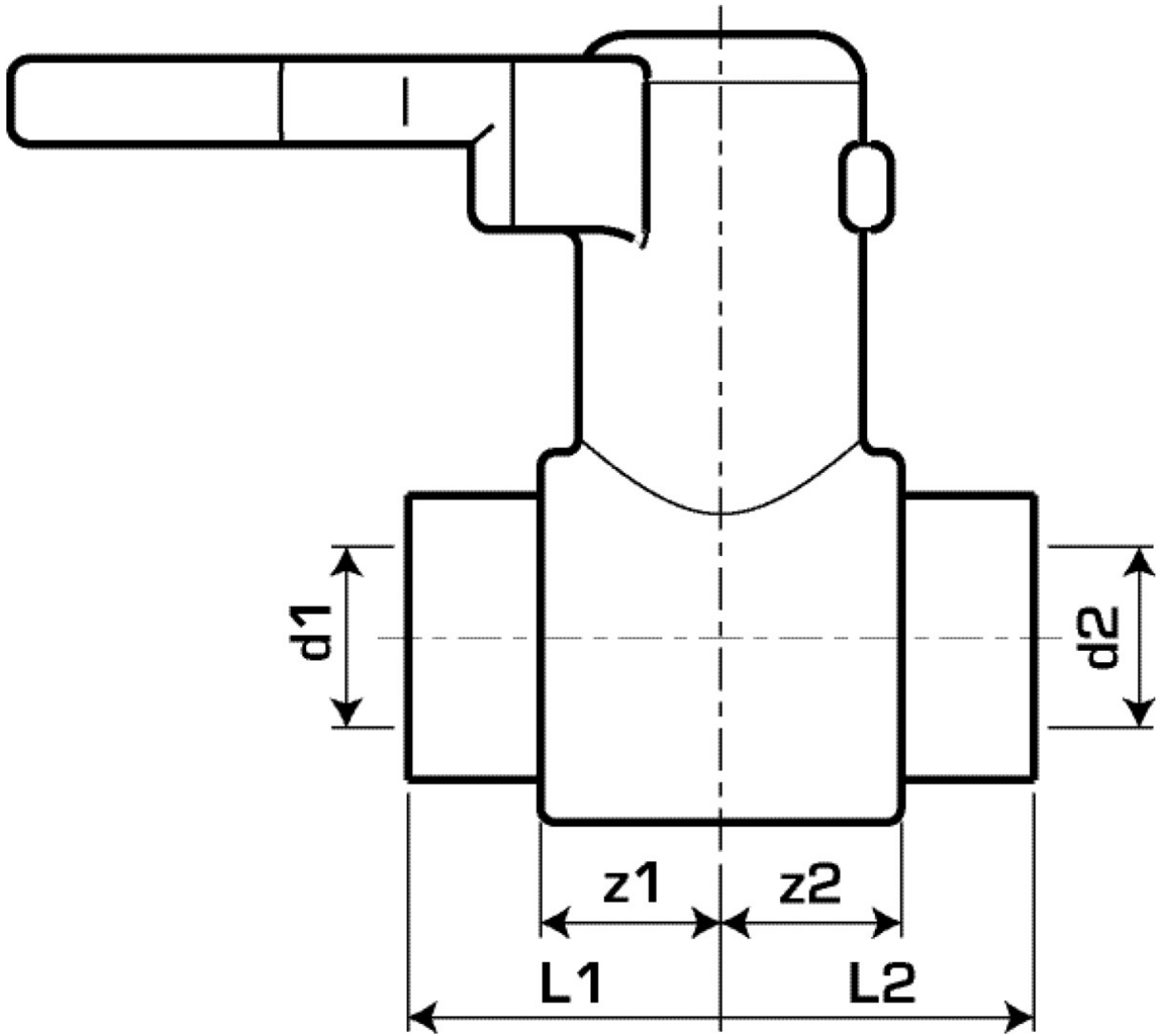
Specifications

Article information

| | |
|-----------|------------------------|
| port 1 | Kunststoffschweißmuffe |
| port 2 | Kunststoffschweißmuffe |
| execution | gerade |

Product information

| | |
|---------------------|---------------------------|
| VPE1 | 2,00 SA1 |
| VPE2 | 8,00 KT1 |
| VPE3 | 32,00 KT2 |
| weight | 0,923 KGM |
| text | KELIT PPR ball valve PN16 |
| INTRNR | 39174000 |
| main material group | KELEN |
| material group | KELEN metal fittings |
| code | KE51 |



| Art. No | label | d1 mm | d2 mm | L1 mm | L2 mm | z1 mm | z2 mm |
|---------|-------|-------|-------|-------|-------|-------|-------|
| 2662501 | 50 | 50 | 50 | 58 | 58 | 33 | 33 |