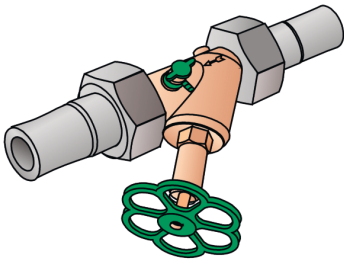


KELEN

KE52 KELEN PP-RCT slanted seat valve with fitting connection KE57 20-DN15

2670201

Areas of application



KELEN PP-RCT Polyfusion welding fitting, with fitting screw fittings KE57 flat sealing, top part "dead space-free", incl. EPDM seal and outflow plastic socket or EPDM seal available separately!

Approvals:



KE KELIT GmbH

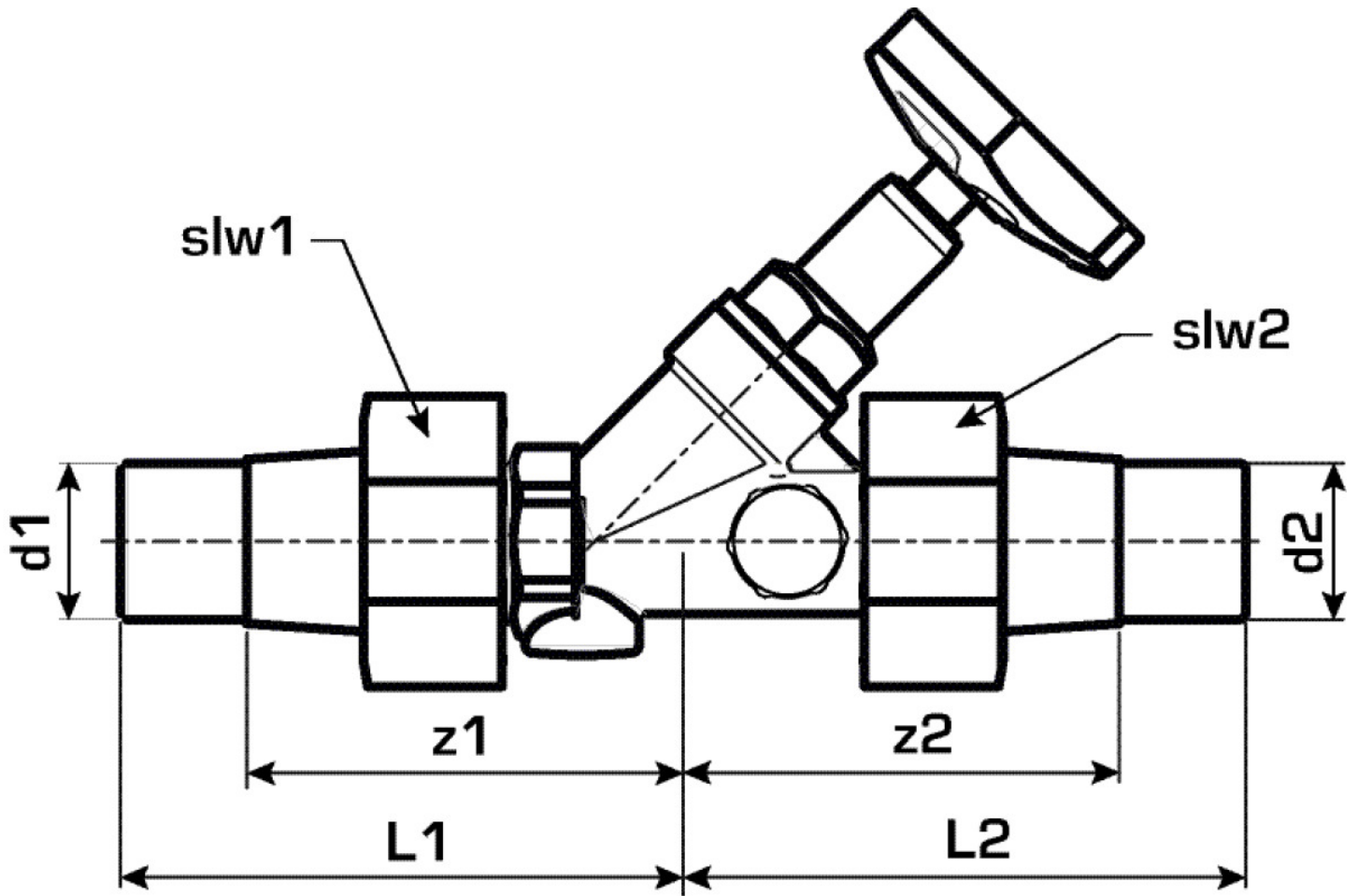
A 4020 Linz, Ignaz-Mayer-Straße 17, Austria, Europe

PHONE +43 (0) 50 779 E-MAIL office@kekelit.com

www.kekelit.com

Specifications

| Product information | |
|---------------------|--|
| VPE1 | 1,00 SA1 |
| VPE2 | 14,00 KT1 |
| VPE3 | 56,00 KT2 |
| VPE4 | 1344,00 PAL |
| weight | 0,501 KGM |
| text | KELEN PP-RCT slanted seat valve with fitting connection KE57 |
| INTRNR | 84818079 |
| main material group | KELEN |
| material group | KELEN metal fittings |
| code | KE52 |



| Art. No | label | L1 mm | L2 mm | z1 mm | z2 mm | slw1 | slw2 |
|---------|---------|-------|-------|-------|-------|------|------|
| 2670201 | 20-DN15 | 84 | 84 | 67 | 67 | 36 | 36 |