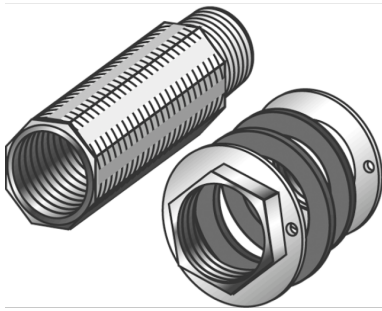


# KELEN

## K84 KELIT hollow wall connection unit 1/2"xM28

2678000

### Areas of application



50mm extension piece made of brass, M28mm male thread, octagonal design, seal and 2 lock nuts  
Do NOT screw in metal threaded pipes or cast iron fittings!

### Approvals:



KE KELIT GmbH

A 4020 Linz, Ignaz-Mayer-Straße 17, Austria, Europe

PHONE +43 (0) 50 779 E-MAIL [office@kekelit.com](mailto:office@kekelit.com)

[www.kekelit.com](http://www.kekelit.com)

# Specifications

## Technical properties

**insertion depth 1 (es1)** 50 mm

## Product information

**VPE1** 5,00 SA1

**VPE2** 30,00 KT1

**VPE3** 120,00 KT2

**VPE4** 2880,00 PAL

**weight** 0,204 KGM

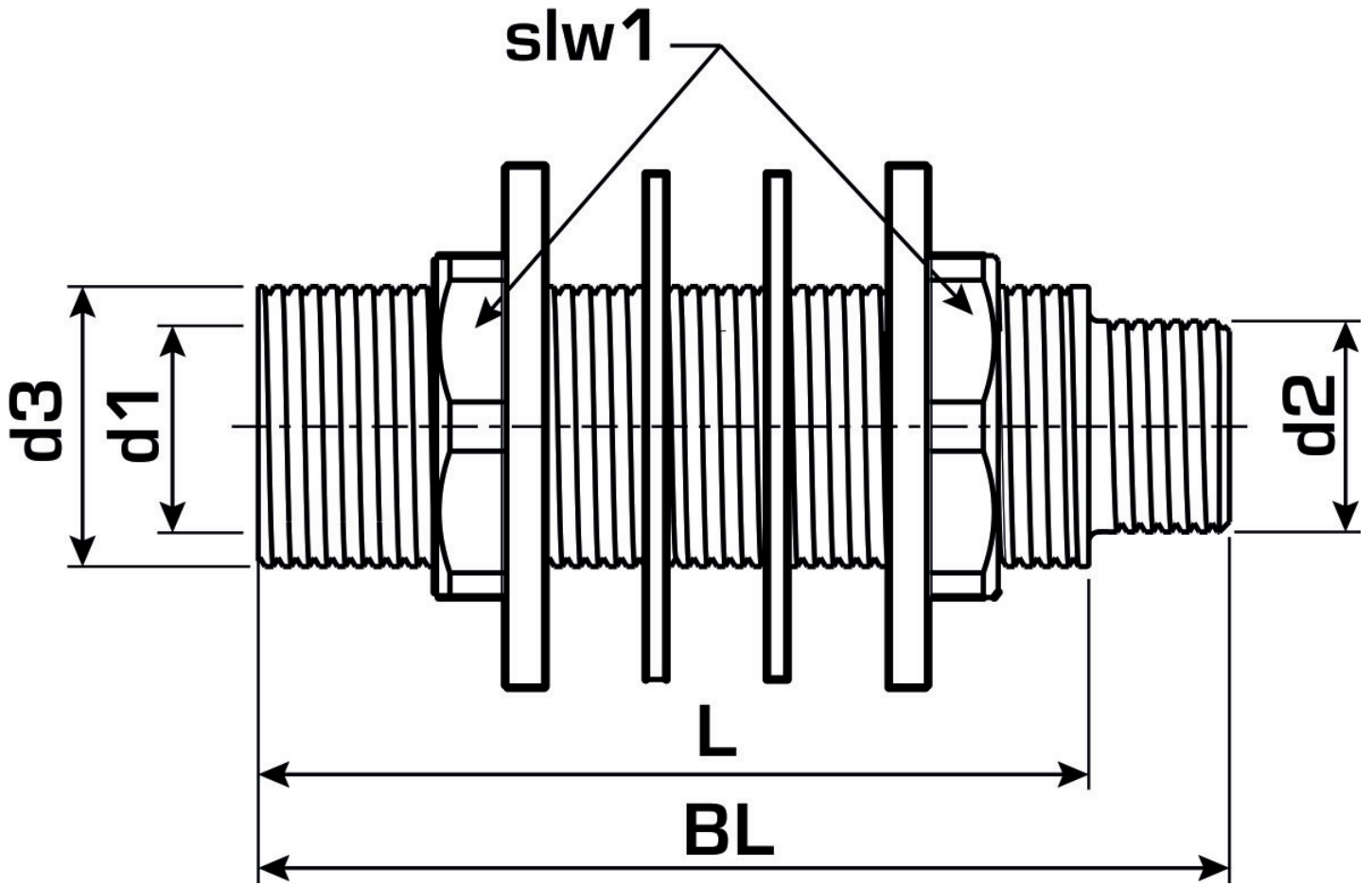
**text** KELIT hollow wall connection unit

**INTRNR** 39174000

**main material group** KELEN

**material group** KELEN accessories

**code** K84



Art. No	label	L1 mm	insertion depth 1 (es1) mm	slw1 mm
2678000	1/2"xM28	64	50	30