

# KELOX

## KMU134 KELOX-ULTRAX protective-jacket pipe 20x2.25

7021204

### Areas of application



?KELOX-ULTRAX multilayer pipe for CLIMATEFIX conforming to ÖNORM EN ISO 21003, an oxygen-tight and water vapour diffusion-resistant 5-layer PE-RT/Al/PE-RT composite pipe, with a factory-applied protective cover made of visco-plastic PE film

Application area: 60°C - tmax 70°C/10 bar

Protective jacket thickness: 4mm

Colour: green

Supplied in coils

ATTENTION: This is NOT a drinking water and radiator connection pipe!

## Approvals:



# Specifications

## Article information

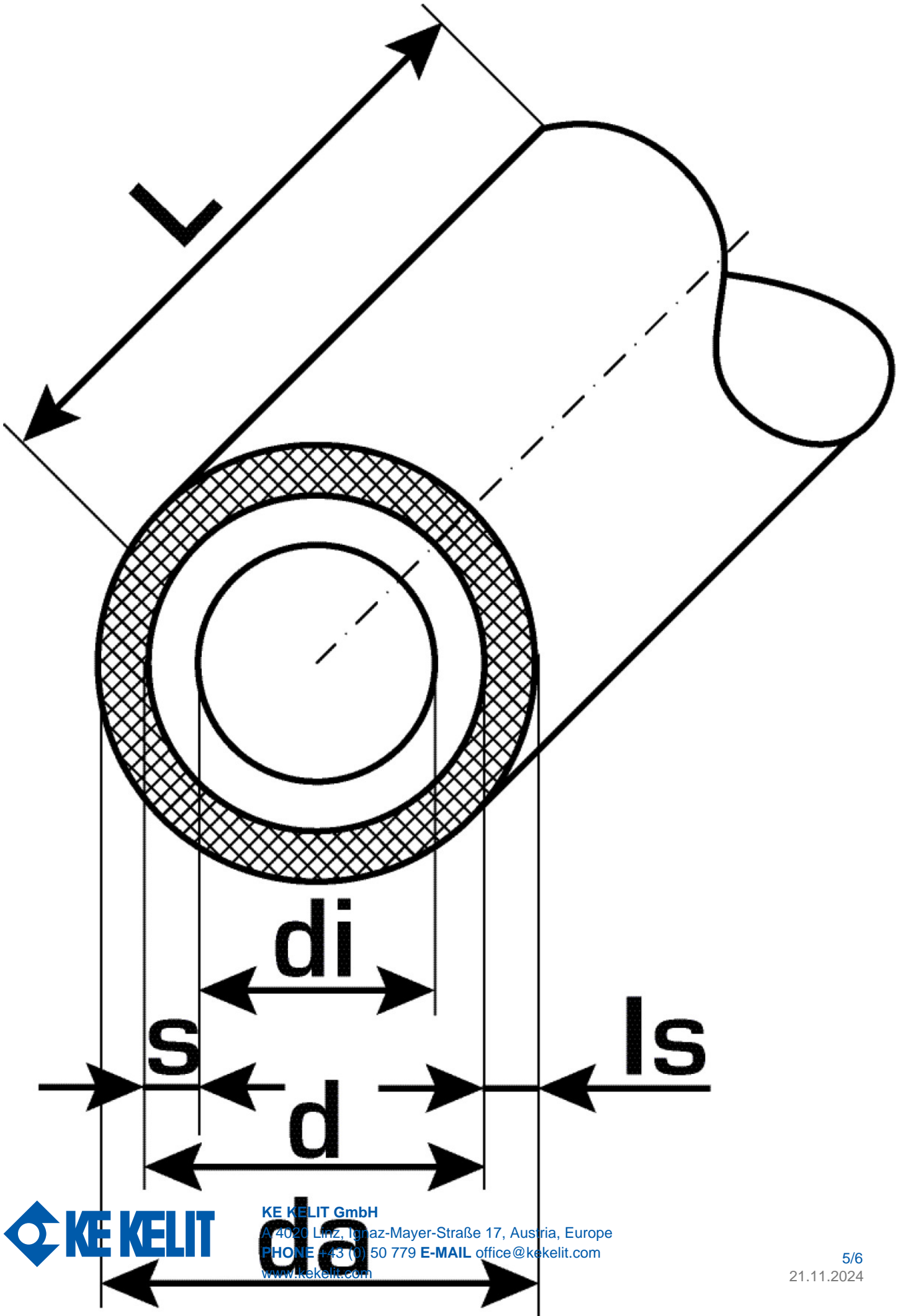
<b>color</b>	White
<b>colour isolation</b>	Green
<b>flexible</b>	1
<b>isolation</b>	1

## Technical properties

<b>maximum working pressure at 20 ° C</b>	10 bar
<b>thick thermal insulation</b>	4 mm
<b>pipe weight</b>	0,19 kg/m
<b>pipe contents</b>	0,189 l/m
<b>lambda pipe</b>	0,45 W/(m.K)
<b>wall rawness</b>	0,007 mm
<b>expansion coefficient</b>	0,025 mm/(m.K)

## Product information

VPE1	50,00 ROL
VPE2	850,00 PAL
L	50 m
weight	0,169 KGM
text	KELOX-ULTRAX protective-jacket pipe
INTRNR	39173900
main material group	KELOX
material group	KELOX-ULTRAX insulated pipes
code	KMU134



Art. No	label	d1 mm	d Jacket tube mm	pipe contents l/m	s mm
7021204	20x2.25	20	28	0,189	2,25



**KE KELIT GmbH**

A 4020 Linz, Ignaz-Mayer-Straße 17, Austria, Europe

**PHONE** +43 (0) 50 779 **E-MAIL** [office@kekelit.com](mailto:office@kekelit.com)

[www.kekelit.com](http://www.kekelit.com)