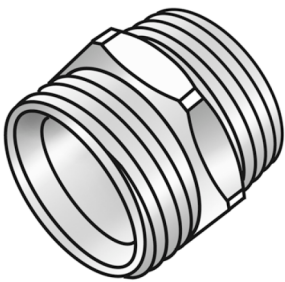


KELOX

KM310E KELOX threaded coupling nipple 3/4"

7706520

Areas of application



Connector, non-porous metallised brass with two male threads suitable for KM220 euro thread fitting

Approvals:



Specifications

Article information

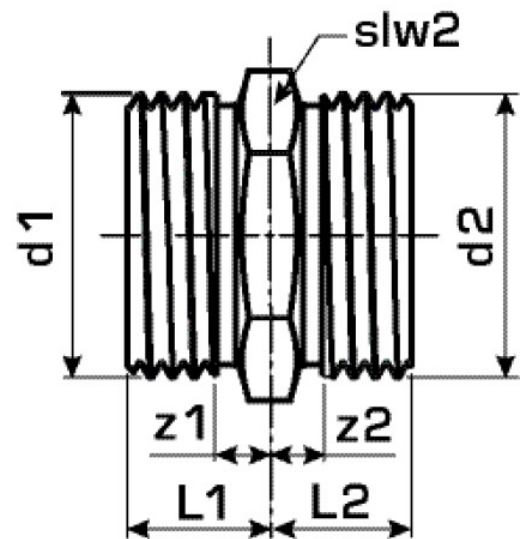
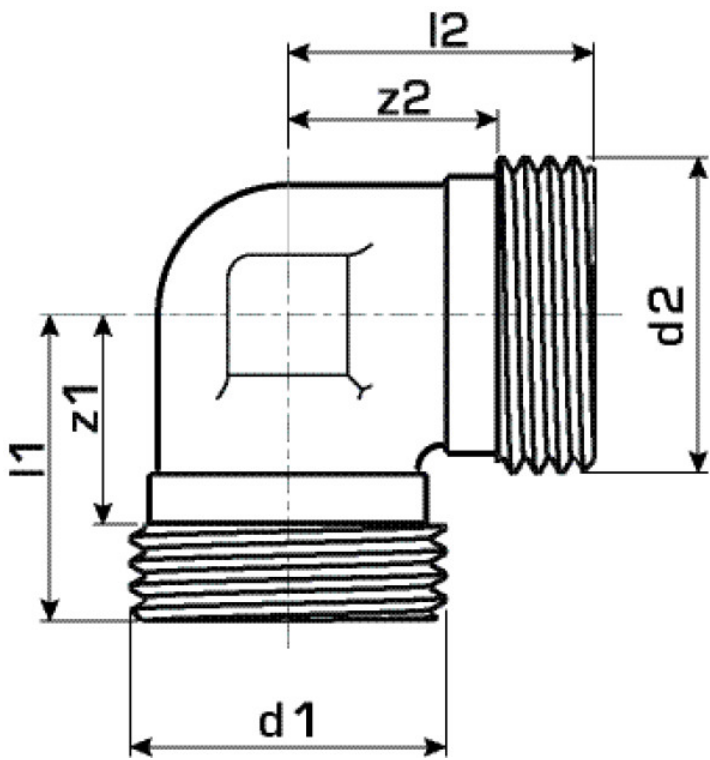
port 1	Male thread conical (NPT) conical (NPT)
port 2	Male thread, conical (NPT)
execution	1-part
design	Straight

Technical properties

maximum working pressure at 20 ° C	10 bar
------------------------------------	--------

Product information

VPE1	10,00 KT1
weight	0,052 KGM
text	KELOX threaded coupling nipple
INTRNR	74122000
main material group	KELOX
material group	KELOX screw fittings
code	KM310E



Art. No	label	d1 Inches	d2	L1 mm	L2 mm	z1 mm	z2 mm	slw1 mm
7706520	3/4"	3/4" (20)	3/4 Zoll (20)	13	13	4,5	4,5	27