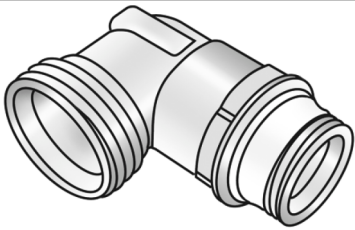


KELOX

KM365E KELOX male threaded elbow adapter 90° 1/2"x3/4"

7706760

Areas of application



Connecting piece or elbow adapter, non-porous metallised brass with pre-sealed 1/2" male thread and 3/4" male thread suitable for KM220 euro thread fitting

Approvals:



Specifications

Article information

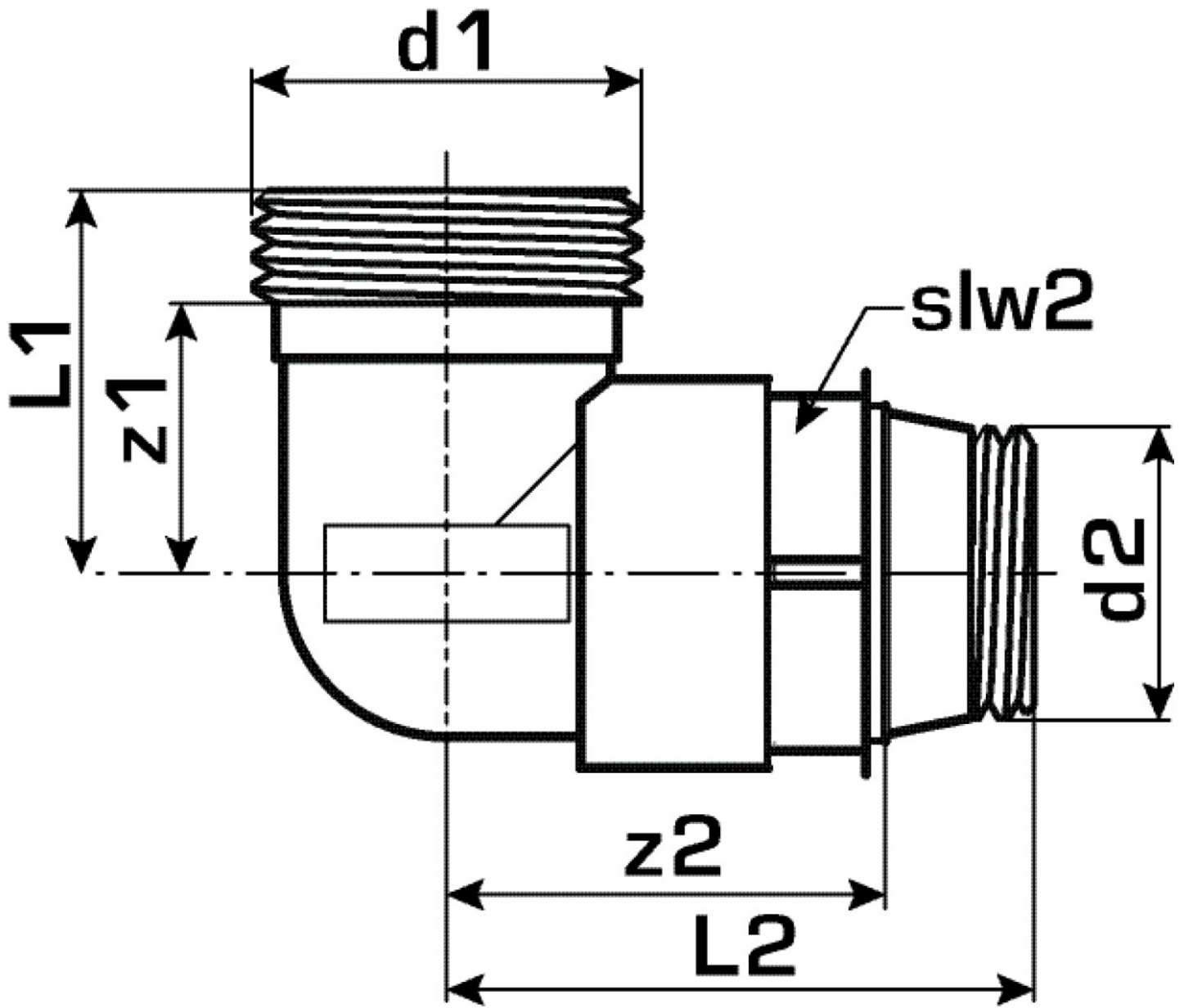
port 1	Male thread conical (NPT) conical (NPT)
port 2	Male thread, conical (NPT)
execution	Miscellaneous
design	Knee
angle	90 °

Technical properties

maximum working pressure at 20 ° C	10 bar
------------------------------------	--------

Product information

VPE1	10,00 KT1
weight	0,110 KGM
text	KELOX male threaded elbow adapter 90°
INTRNR	74122000
main material group	KELOX
material group	KELOX screw fittings
code	KM365E



Art. No	label	d1 Inches	d2	L1 mm	L2 mm	z1 mm	z2 mm	slw1 mm
7706760	1/2"x3/4"	3/4" (20)	1/2" (15)	25	40	17	30	24