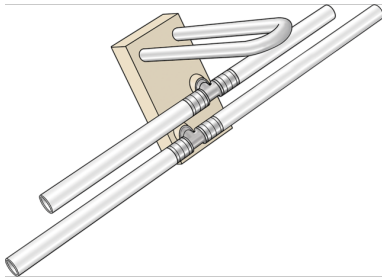


# KELOX

## KM506 KELOX SB flush-mounted radiator elbow box 20x20

9009300

### Areas of application



Skirting board insulating wall block for valve radiators for installation in flush-mount areas before plastering is done, incl. inlaid KELOX multilayer pipes for installation in wall area on one side between the feed line and return line, joined non-porous metallised copper pipes d15mm for later connection of the radiators, feed line at bottom

Size: W: 140mm, H: 140mm, D: 35mm

ATTENTION: Follow the installation instructions of the screw fitting manufacturers and if necessary use support sleeves for copper connections

# Specifications

## Article information

**color** weiß

**flexible** 1

**isolation** 1

## Technical properties

**maximum working pressure at 20 ° C** 10 bar

**pipe weight** 0,11 kg/m

**pipe contents** 0,113 l/m

**wall rawness** 0,007 mm

**expansion coefficient** 0,025 mm/(m.K)

## Product information

**VPE1** 1,00 SA1

**VPE2** 10,00 KT1

**weight** 0,580 KGM

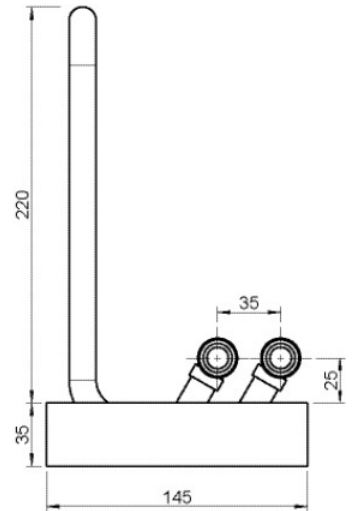
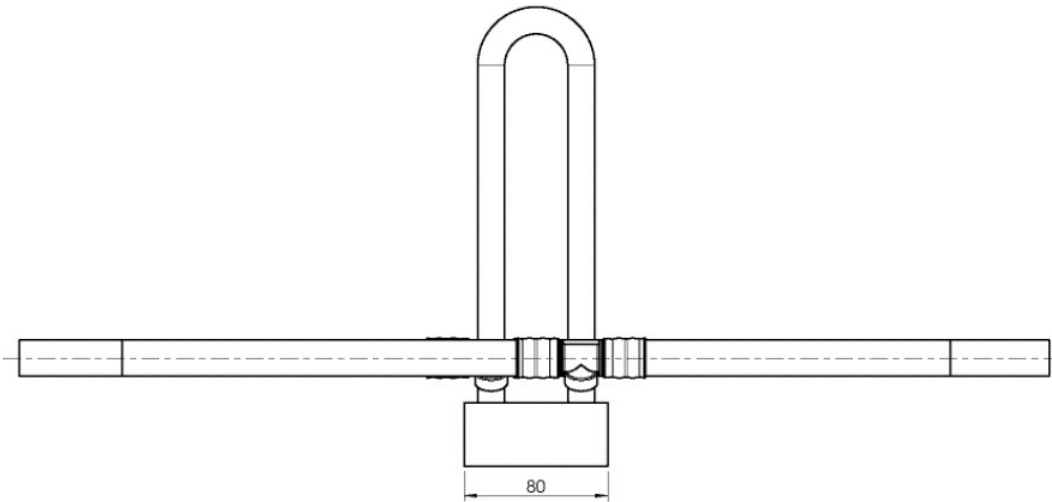
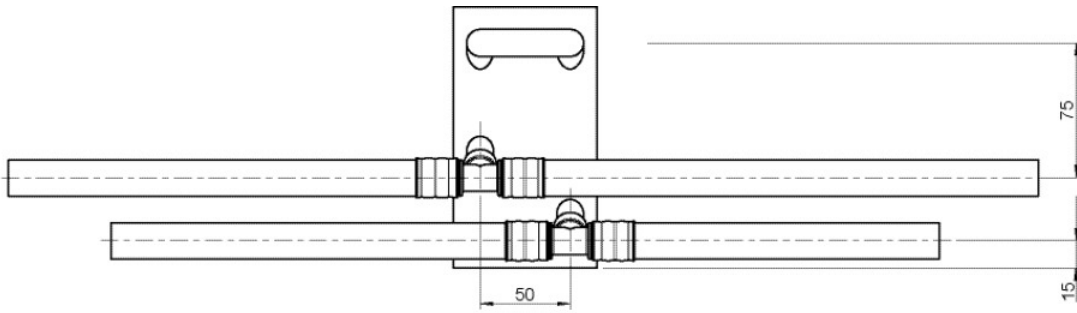
**text** KELOX SB flush-mounted radiator elbow box

**INTRNR** 74122000

**main material group** KELOX

**material group** KELOX accessories

**code** KM506



Art. No	label	d1 mm	pipe contents l/m	s mm
9009300	20x20	16	0,113	2