

# KELOX

## KMU410 KELOX-ULTRAX coupling 25/16

71100EB0

### Areas of application



Press coupling equal or reduced, made of non-porous metallised brass, incl. support sleeves with O-rings and stainless steel press-fit sleeves, "leak before pressed"

### Approvals:



KE KELIT GmbH

A 4020 Linz, Ignaz-Mayer-Straße 17, Austria, Europe

PHONE +43 (0) 50 779 E-MAIL [office@kekelit.com](mailto:office@kekelit.com)

[www.kekelit.com](http://www.kekelit.com)

# Specifications

## Article information

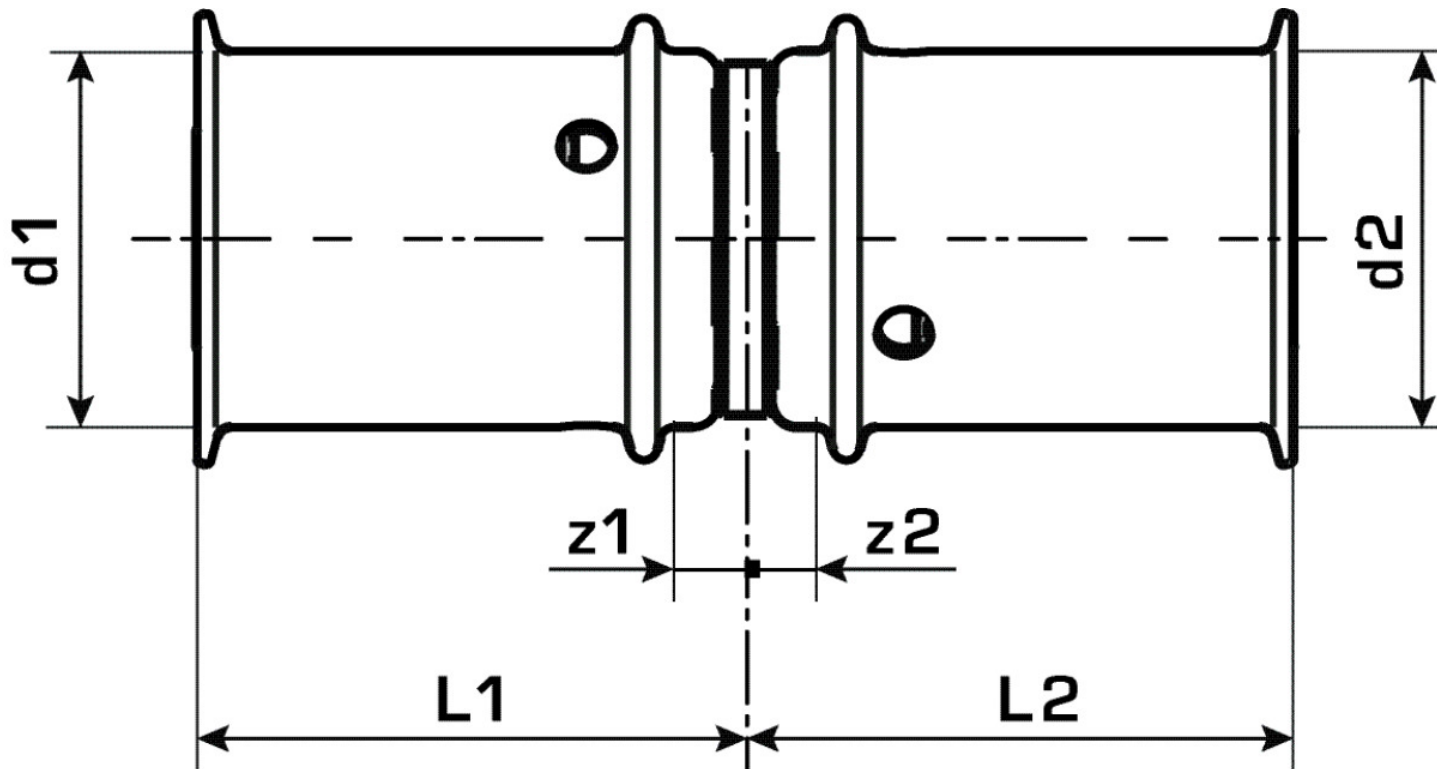
port 1	Pressing socket
port 2	Pressing socket
execution	1-part
design	Straight
press contour	U

## Technical properties

maximum working pressure at 20 ° C	10 bar
------------------------------------	--------

## Product information

VPE1	10,00 SA1
VPE2	120,00 KT1
weight	0,089 KGM
text	KELOX-ULTRAX coupling
INTRNR	74122000
main material group	KELOX
material group	KELOX-ULTRAX metal fittings
code	KMU410



Art. No	label	d1 mm	d2 mm	L1 mm	L2 mm	z1 mm	z2 mm
71100EB0	25/16	25	16	36,5	26	3,5	3,5