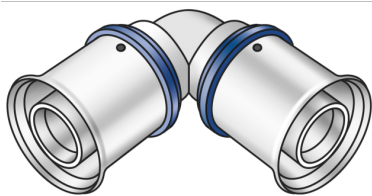


# KELOX

## KMU420 ?KELOX-ULTRAX elbow 90° 32

71103FF0

### Areas of application



Press elbow adapter 90° for changing direction with a minimal radius, made of non-porous metallised brass, incl. support sleeves with O-rings and stainless steel press-fit sleeve, "leak before pressed"

### Approvals:



# Specifications

## Article information

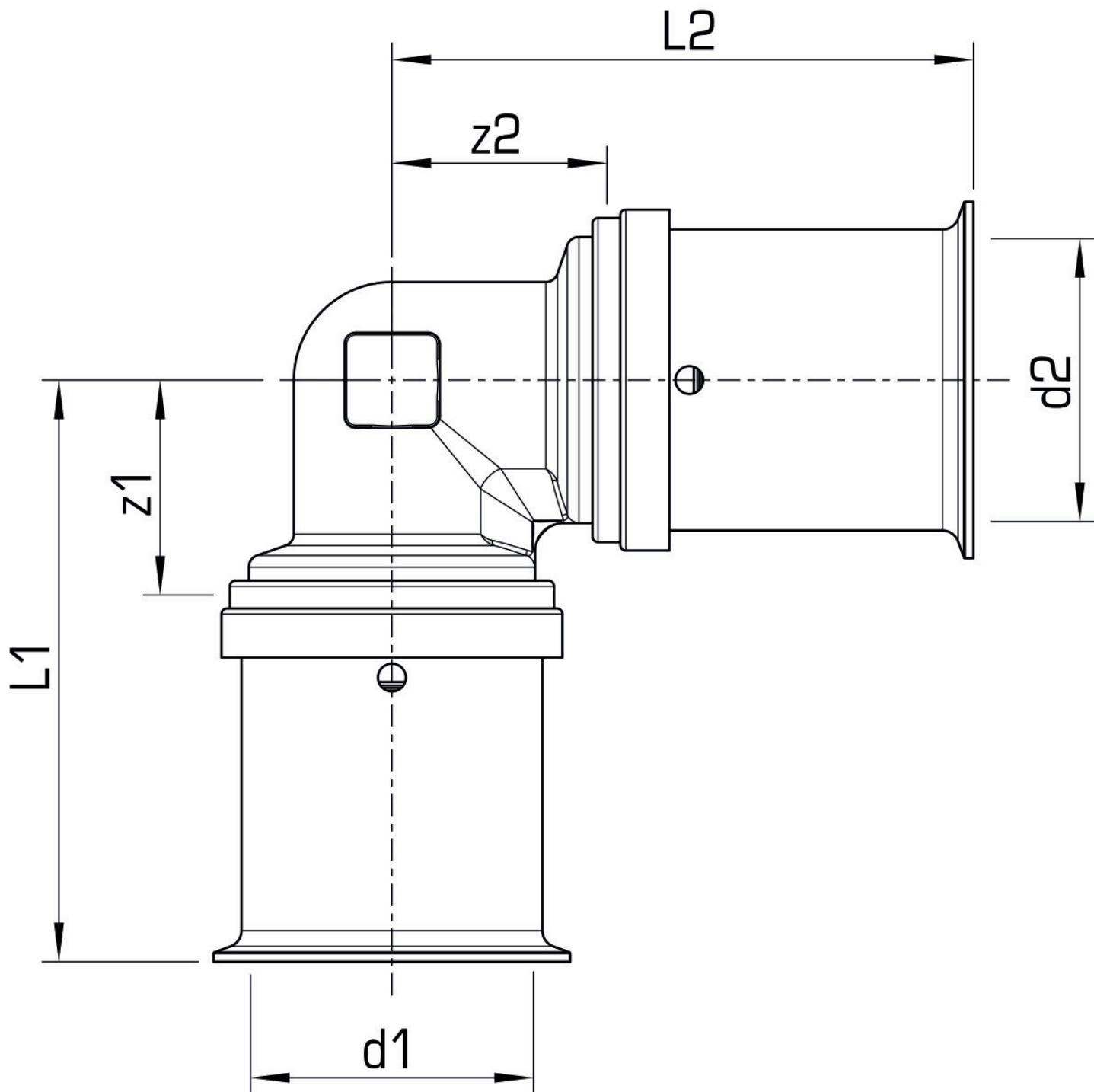
|               |                 |
|---------------|-----------------|
| port 1        | Pressing socket |
| port 2        | Pressing socket |
| execution     | 1-part          |
| design        | Knee            |
| angle         | 90 °            |
| press contour | U               |

## Technical properties

|                                    |        |
|------------------------------------|--------|
| maximum working pressure at 20 ° C | 10 bar |
|------------------------------------|--------|

## Product information

|                     |                             |
|---------------------|-----------------------------|
| VPE1                | 4,00 SA1                    |
| VPE2                | 44,00 KT1                   |
| weight              | 0,237 KGM                   |
| text                | ?KELOX-ULTRAX elbow 90°     |
| INTRNR              | 74122000                    |
| main material group | KELOX                       |
| material group      | KELOX-ULTRAX metal fittings |
| code                | KMU420                      |



| Art. No  | label | d1 mm | d2 mm | L1 mm | L2 mm | z1 mm | z2 mm |
|----------|-------|-------|-------|-------|-------|-------|-------|
| 71103FF0 | 32    | 32    | 32    | 53    | 53    | 22    | 22    |