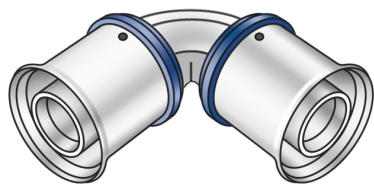


KELOX

KMU420Z ?KELOX-ULTRAX zeta elbow 90° 25

71104EE0

Areas of application



?Zeta-optimised press-fit 90° elbow for changing direction with minimal radius, made of non-porous metallised brass, incl. support sleeves with O-rings and stainless steel pressing sleeves, "leak before pressed"

Approvals:



KE KELIT GmbH

A 4020 Linz, Ignaz-Mayer-Straße 17, Austria, Europe

PHONE +43 (0) 50 779 E-MAIL office@kekelit.com

www.kekelit.com

Specifications

Article information

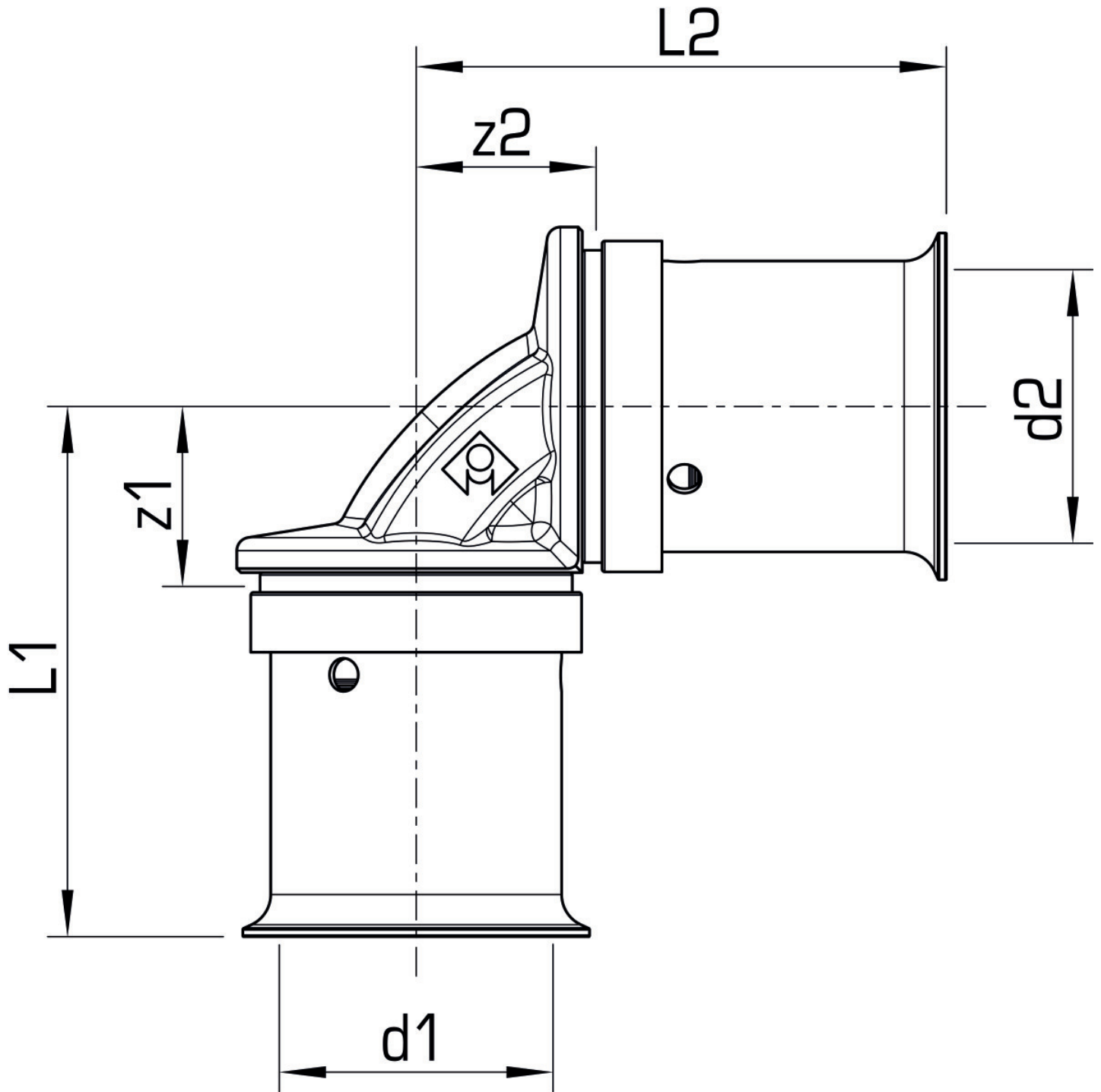
port 1	Pressing socket
port 2	Pressing socket
execution	1-part
design	Knee
angle	90 °
press contour	U

Technical properties

maximum working pressure at 20 ° C	10 bar
------------------------------------	--------

Product information

VPE1	10,00 SA1
VPE2	70,00 KT1
weight	0,180 KGM
text	?KELOX-ULTRAX zeta elbow 90°
INTRNR	74122000
main material group	KELOX
material group	KELOX-ULTRAX metal fittings
code	KMU420Z



Art. No	label	d1 mm	d2 mm	L1 mm	L2 mm	z1 mm	z2 mm
71104EE0	25	25	25	51	51	18	18