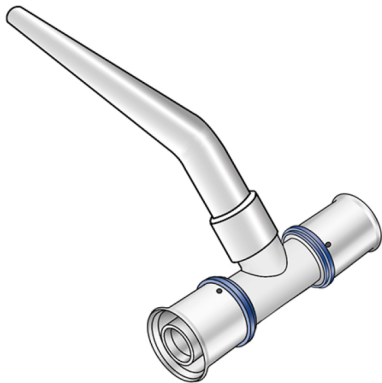


KELOX

KMU432 KELOX-ULTRAX radiator tee 16x16/330

71153BB2

Areas of application



?Radiator connecting pipe made of semi-rigid nickel-plated d15 copper with press-fit adapter tee made from non-porous metallised brass, incl. support sleeves with O-rings and stainless steel press-fit sleeves; "leak before pressed"

ATTENTION: Follow the installation instructions of the screw fitting manufacturer and if necessary use support sleeves for copper connections!

Approvals:



Specifications

Article information

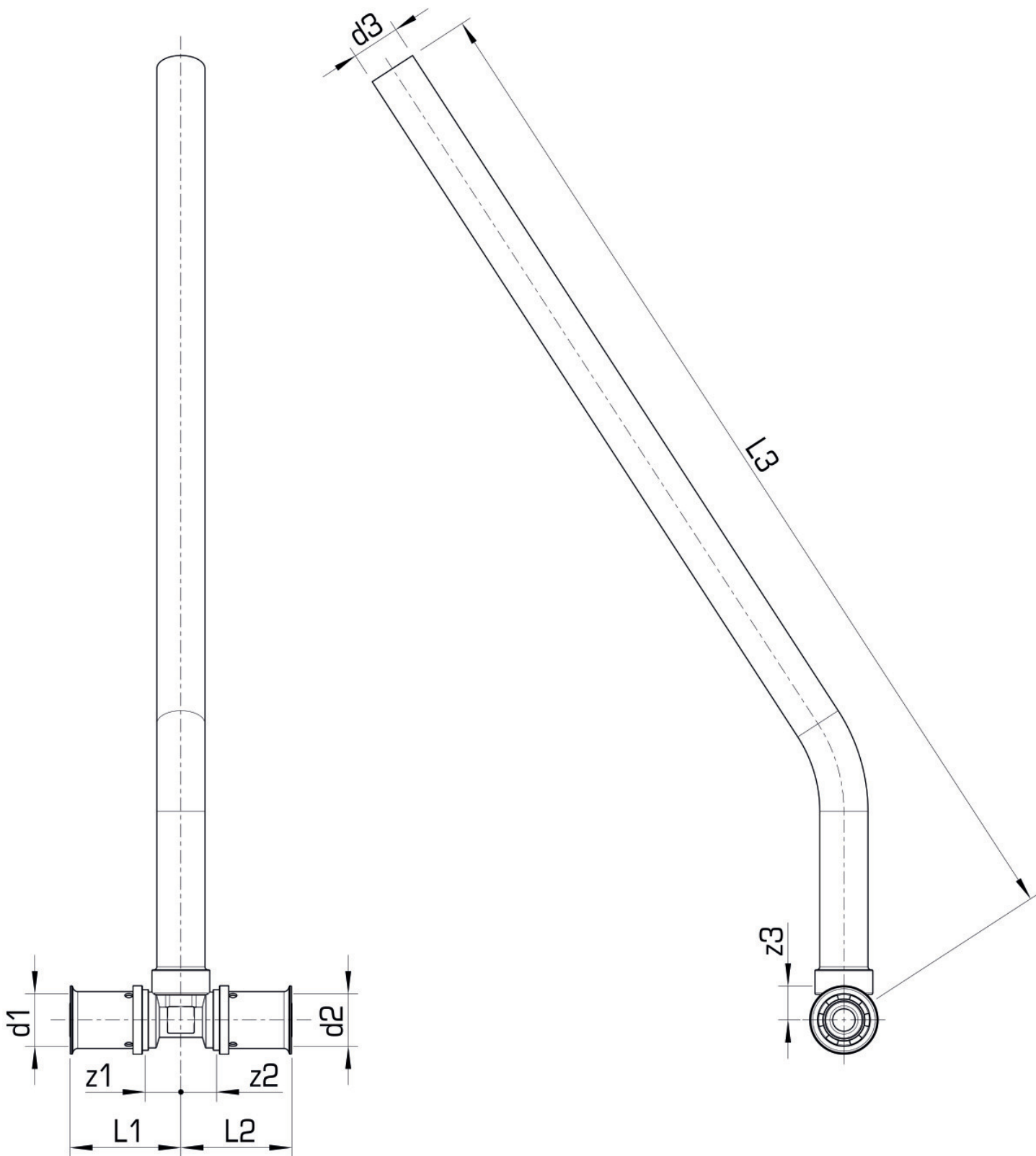
| | |
|---------------|-----------------|
| port 1 | Pressing socket |
| port 2 | Zapfen/Rohrende |
| port 3 | Pressing socket |
| execution | Tee piece |
| press contour | U |

Technical properties

| | |
|------------------------------------|--------|
| maximum working pressure at 20 ° C | 10 bar |
|------------------------------------|--------|

Product information

| | |
|---------------------|-----------------------------|
| VPE1 | 1,00 SA1 |
| VPE2 | 30,00 KT1 |
| weight | 0,104 KGM |
| text | KELOX-ULTRAX radiator tee |
| INTRNR | 74122000 |
| main material group | KELOX |
| material group | KELOX-ULTRAX metal fittings |
| code | KMU432 |



| Art. No | label | d1 mm | d2 mm | d3 mm | L1 mm | L2 mm | L3 mm | z1 mm | z2 mm | z3 mm |
|----------|-----------|-------|-------|-------|-------|-------|-------|-------|-------|-------|
| 71153BB2 | 16x16/33C | 16 | 15 | 15 | 35 | 330 | 35 | 12,5 | 9 | 12,5 |



KE KELIT GmbH

A 4020 Linz, Ignaz-Mayer-Straße 17, Austria, Europe

PHONE +43 (0) 50 779 **E-MAIL** office@kekelit.com

www.kekelit.com