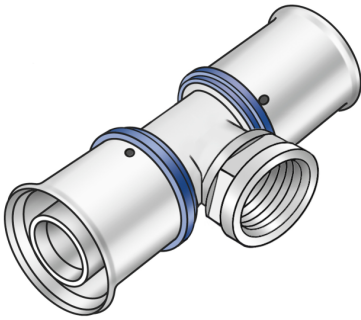


# KELOX

## KMU447 KELOX-ULTRAX adapter tee female 50x1"

71240H05

### Areas of application



Press tee with female thread adapter, made of non-porous metallised brass; including support sleeves with O-rings and stainless steel press-fit sleeves; "leak before pressed"  
DO NOT screw in any threaded pipes and cast iron fittings!

### Approvals:



# Specifications

## Article information

|               |                 |
|---------------|-----------------|
| port 1        | Pressing socket |
| port 2        | Female thread   |
| port 3        | Pressing socket |
| execution     | Tee piece       |
| angle         | 90 °            |
| press contour | U               |

## Technical properties

|                                    |        |
|------------------------------------|--------|
| maximum working pressure at 20 ° C | 16 bar |
|------------------------------------|--------|

## Product information

|                     |                                 |
|---------------------|---------------------------------|
| VPE1                | 1,00 SA1                        |
| VPE2                | 14,00 KT1                       |
| weight              | 0,639 KGM                       |
| text                | KELOX-ULTRAX adapter tee female |
| INTRNR              | 74122000                        |
| main material group | KELOX                           |
| material group      | KELOX-ULTRAX metal fittings     |
| code                | KMU447                          |



| Art. No | label | d2 Inches | d1 mm | d3 mm | L1 mm | L2 mm | L3 mm | z1 mm | z2 mm | z3 mm | slw1 mm |
|---------|-------|-----------|-------|-------|-------|-------|-------|-------|-------|-------|---------|
| 71240H0 | 50x1" | 1"        | 50    | 50    | 72,5  | 45    | 72,5  | 24    | 26    | 24    | 41      |