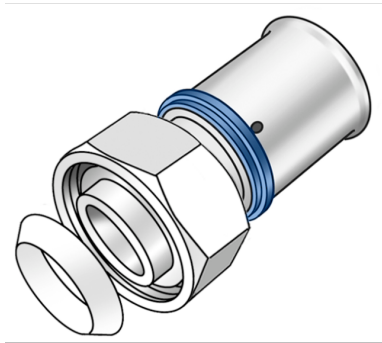


# KELOX

## KMU455K KELOX-ULTRAX union with female thread and wedge seal 20x3/4"

71204D04

### Areas of application



Press-fit union with female thread for connecting to fittings or threaded nipples made of non-porous metallised brass (CW724R), incl. support sleeves with O rings and stainless steel press-fit sleeves, "leak before pressed", incl. wedge seal

### Approvals:



KE KELIT GmbH

A 4020 Linz, Ignaz-Mayer-Straße 17, Austria, Europe

PHONE +43 (0) 50 779 E-MAIL [office@kekelit.com](mailto:office@kekelit.com)

[www.kekelit.com](http://www.kekelit.com)

# Specifications

## Technical properties

maximum working pressure at 20 ° C 10

## Product information

VPE1	10,00 SA1
VPE2	130,00 KT1
weight	0,117 KGM
text	KELOX-ULTRAX union with female thread and wedge seal
INTRNR	74122000
main material group	KELOX
material group	KELOX-ULTRAX metal fittings
code	KMU455K

Art. No	label
71204D04	20x3/4"



**KE KELIT GmbH**

A 4020 Linz, Ignaz-Mayer-Straße 17, Austria, Europe

PHONE +43 (0) 50 779 E-MAIL [office@kekelit.com](mailto:office@kekelit.com)

[www.kekelit.com](http://www.kekelit.com)