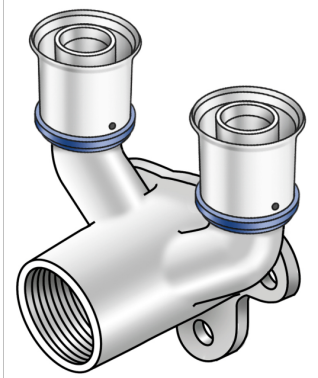


KELOX

KMU477 KELOX-ULTRAX double U wall bracket fitting with female thread 20x1/2"

71254D2D

Areas of application



Press-fit double-U wall bracket fitting with female thread made from non-porous metallised brass, including support sleeves with O-rings and stainless steel press-fit sleeves, "leak before pressed"

Overall height:

1/2" - 46mm

DO NOT screw in threaded pipes and cast iron fittings!

Approvals:



KE KELIT GmbH

A 4020 Linz, Ignaz-Mayer-Straße 17, Austria, Europe

PHONE +43 (0) 50 779 **E-MAIL** office@kekelit.com

www.kekelit.com

Specifications

Article information

port 1	Pressing socket
design	Continuously right-angled
press contour	U

Technical properties

maximum working pressure at 20 ° C	10 bar
------------------------------------	--------

Product information

VPE1	10,00 SA1
VPE2	50,00 KT1
weight	0,264 KGM
text	KELOX-ULTRAX double U wall bracket fitting with female thread
INTRNR	74122000
main material group	KELOX
material group	KELOX-ULTRAX metal fittings
code	KMU477



Art. No	label	d1 mm	L1 mm	L2 mm	L3 mm	z1 mm	z2 mm	z3 mm
71254D2D	20x1/2"	20	59	27	26,5	35	10	25,5