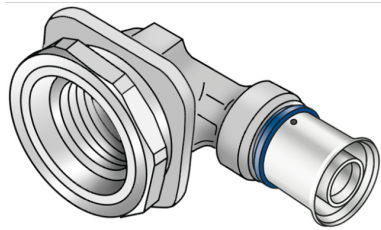


# KELOX

## KMU482 KELOX-ULTRAX UPS elbow adapter 90° female 16x1/2"

71253B02

### Areas of application



Press fitting cistern elbow with female thread and locknut, made of non-porous metallised brass; including support sleeves with O-rings and stainless steel press-fit sleeves; "leak before pressed"  
DO NOT screw in any threaded pipes and cast iron fittings!

### Approvals:



# Specifications

## Article information

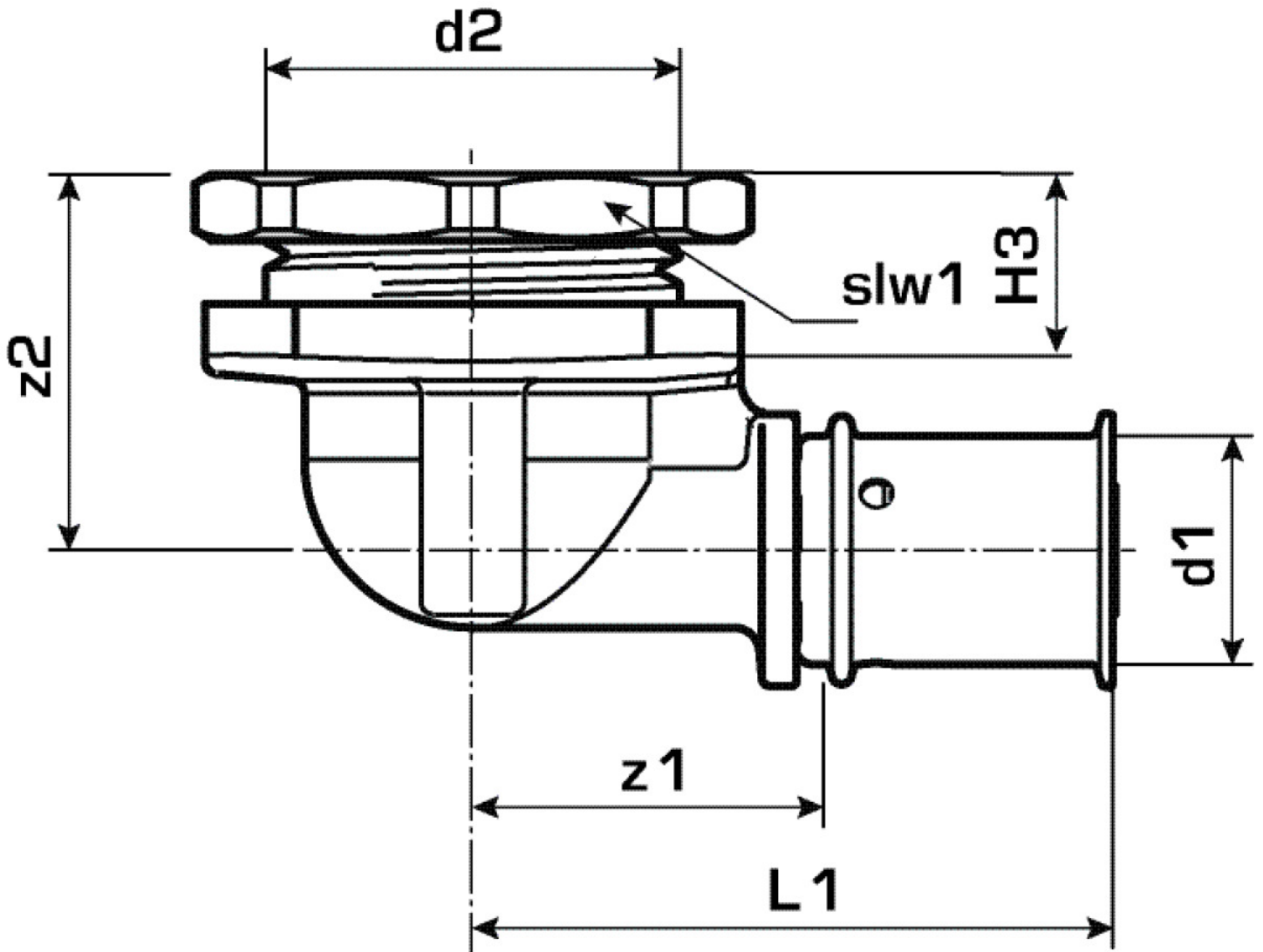
|               |   |
|---------------|---|
| port 1        | Pressing socket                             |
| port 2        | Female thread cylindrical BSPT-Rp (ISO 7-1) |
| execution     | 2-part                                      |
| design        | Knee  |
| angle         | 90 °  |
| press contour | U   |

## Technical properties

|                                    |    |
|------------------------------------|----|
| maximum working pressure at 20 ° C | 10 |
|------------------------------------|----|

## Product information

|                     |   |
|---------------------|---|
| VPE1                | 10,00 SA1                                 |
| VPE2                | 80,00 KT1                                 |
| weight              | 0,156 KGM                                 |
| text                | KELOX-ULTRAX UPS elbow adapter 90° female |
| INTRNR              | 74122000                                  |
| main material group | KELOX                                     |
| material group      | KELOX-ULTRAX metal fittings               |
| code                | KMU482                                    |



| Art. No  | label   | d2 Inches | d1 mm | L1 mm | z1 mm | z2 mm | slw1 mm |
|----------|---------|-----------|-------|-------|-------|-------|---------|
| 71253B02 | 16x1/2" | 1/2" (15) | 16    | 48,5  | 26    | 29,5  | 38      |