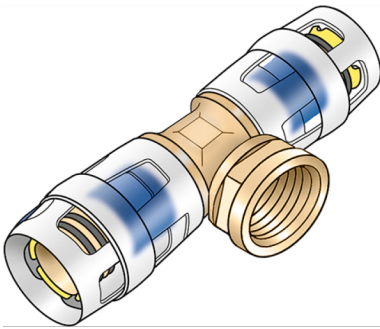


KELOX

KMP447 KELOX-PROTEC adapter tee female 32x3/4"

73240F04

Areas of application



Push-in tee with female thread, made of dezincification-resistant brass (DZR); incl. push-on sleeve made of transparent polyamide, O-rings, withdrawal barriers and protector ring as insertion locking device

DO NOT screw in any threaded pipes and cast iron fittings!

Approvals:



Specifications

Article information

| | |
|-----------|----------------------|
| port 1 | Plug-in |
| port 2 | Female thread metric |
| port 3 | Plug-in |
| execution | Tee piece |
| angle | 90 ° |

Technical properties

| | |
|------------------------------------|--------|
| maximum working pressure at 20 ° C | 10 bar |
|------------------------------------|--------|

Product information

| | |
|---------------------|---------------------------------|
| VPE1 | 4,00 SA1 |
| VPE2 | 32,00 KT1 |
| weight | 0,250 KGM |
| text | KELOX-PROTEC adapter tee female |
| INTRNR | 74122000 |
| main material group | KELOX |
| material group | KELOX-PROtec pushfittings |
| code | KMP447 |



| Art. No | label | d2 | d1 mm | d3 mm | L1 mm | L2 mm | L3 mm | z1 mm | z2 mm | z3 mm | slw1 mm |
|---------|---------|--------------|-------|-------|-------|-------|-------|-------|-------|-------|---------|
| 73240F0 | 32x3/4" | 3/4" (20) | 32 | 32 | 60,5 | 39 | 60,5 | 21,5 | 22,5 | 21,5 | 30 |