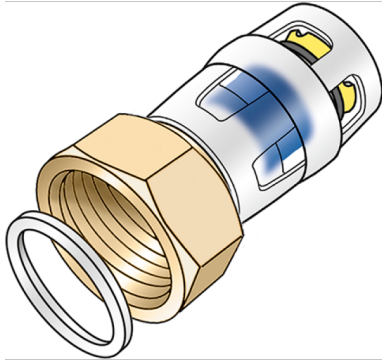


# KELOX

## KMP455 KELOX-PROTEC union with female thread 20x3/4"

73203D04

### Areas of application



Plug-in screw fitting with female thread for connecting to fittings, e.g. filters, manifolds, pumps,..... made of dezincification-resistant brass (DZR), incl. push-on sleeve made of transparent polyamide, O-rings, withdrawal barriers and protector ring as insertion locking device; flat-sealing including seal

### Approvals:



# Specifications

## Article information

|        |   |
|--------|---|
| port 1 | Plug-in                                     |
| port 2 | Female thread cylindrical BSPT-Rp (ISO 7-1) |
| design | Straight                                    |

## Technical properties

|                                    |        |
|------------------------------------|--------|
| maximum working pressure at 20 ° C | 10 bar |
|------------------------------------|--------|

## Product information

|                     |  |
|---------------------|--|
| VPE1                | 10,00 SA1                              |
| VPE2                | 170,00 KT1                             |
| weight              | 0,108 KGM                              |
| text                | ?KELOX-PROTEC union with female thread |
| INTRNR              | 74122000                               |
| main material group | KELOX                                  |
| material group      | KELOX-PROtec pushfittings              |
| code                | KMP455                                 |



| Art. No  | label   | d2        | d1 mm | L1 mm | L2 mm | z1 mm | z2 mm | slw1 mm |
|----------|---------|-----------|-------|-------|-------|-------|-------|---------|
| 73203D04 | 20x3/4" | 3/4" (20) | 20    | 36    | 23    | 3     | 14,5  | 30      |