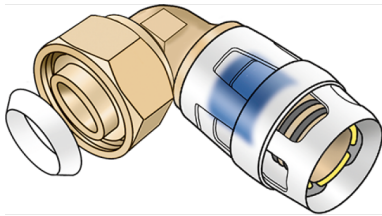


# KELOX

KMP456K KELOX-PROTEC union 90° with female thread and wedge seal 16x1/2"

73207B02

## Areas of application



Plug-in elbow screw fitting 90° with female thread for connecting to fittings, or threaded nipples made of dezincification-resistant brass (DZR), incl. push-on sleeve made of transparent polyamide, O rings, withdrawal barriers and protector ring as insertion locking device, incl. wedge seal

## Approvals:



KE KELIT GmbH

A 4020 Linz, Ignaz-Mayer-Straße 17, Austria, Europe

PHONE +43 (0) 50 779 E-MAIL [office@kekELIT.com](mailto:office@kekELIT.com)

[www.kekELIT.com](http://www.kekELIT.com)

# Specifications

## Article information

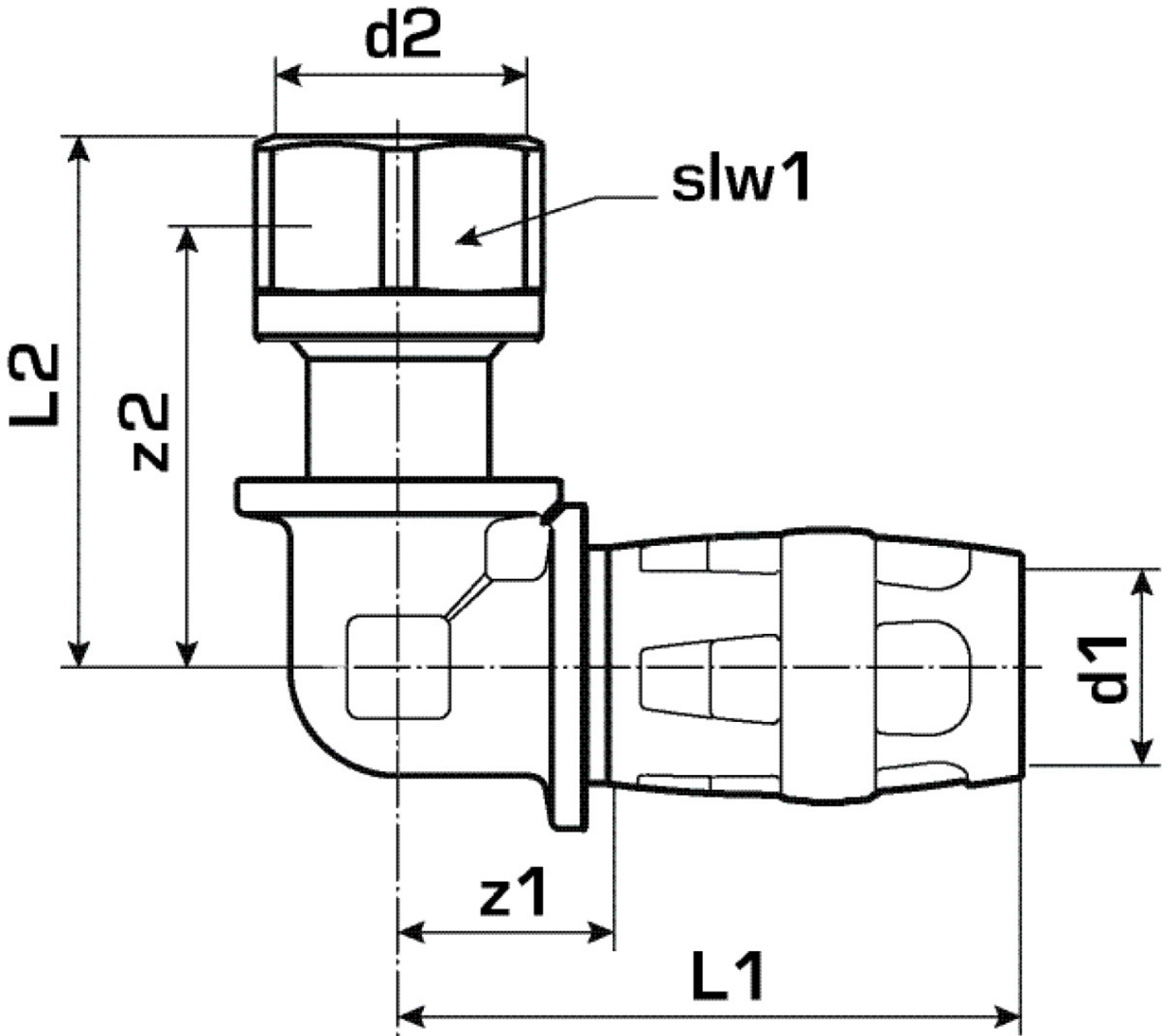
port 1	Plug-in
port 2	Female thread cylindrical BSPT-Rp (ISO 7-1)
design	Knee
angle	90 °

## Technical properties

maximum working pressure at 20 ° C	10 bar
------------------------------------	--------

## Product information

VPE1	10,00 SA1
VPE2	120,00 KT1
weight	0,102 KGM
text	KELOX-PROTEC union 90° with female thread and wedge seal
INTRNR	74122000
main material group	KELOX
material group	KELOX-PROtec pushfittings
code	KMP456K



Art. No	label	d2	d1 mm	L1 mm	L2 mm	z1 mm	z2 mm	slw1 mm
73207B02	16x1/2"	1/2" (15)	16	51,5	44	19	36,5	24